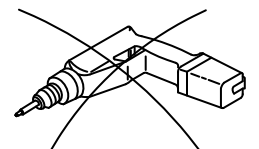
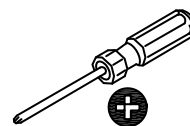
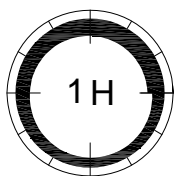
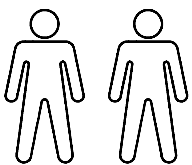
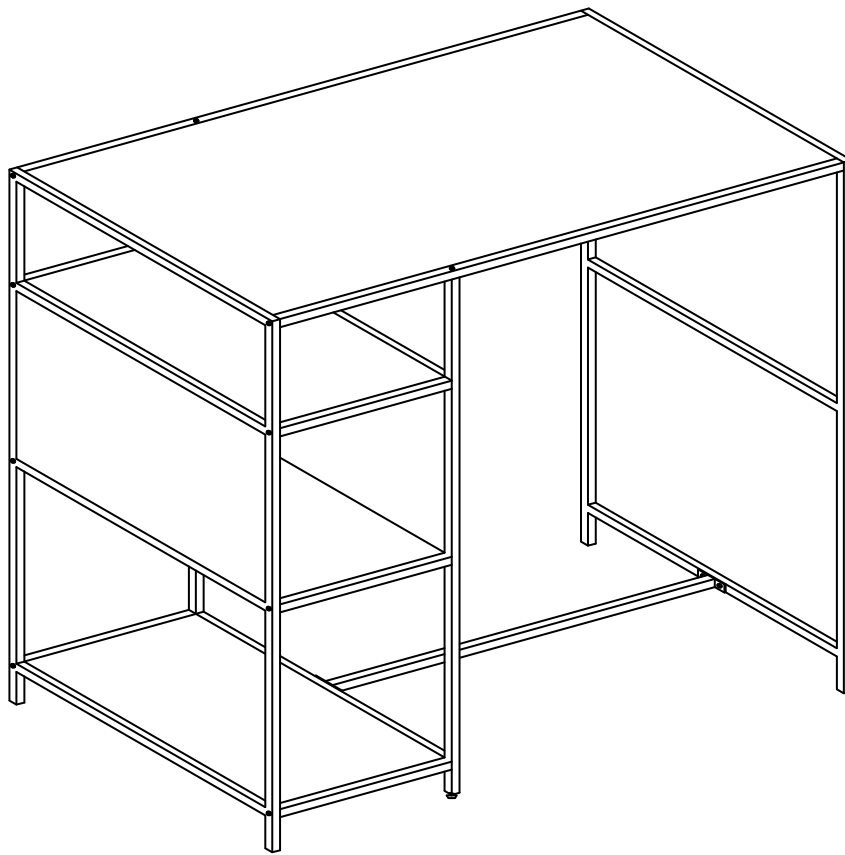
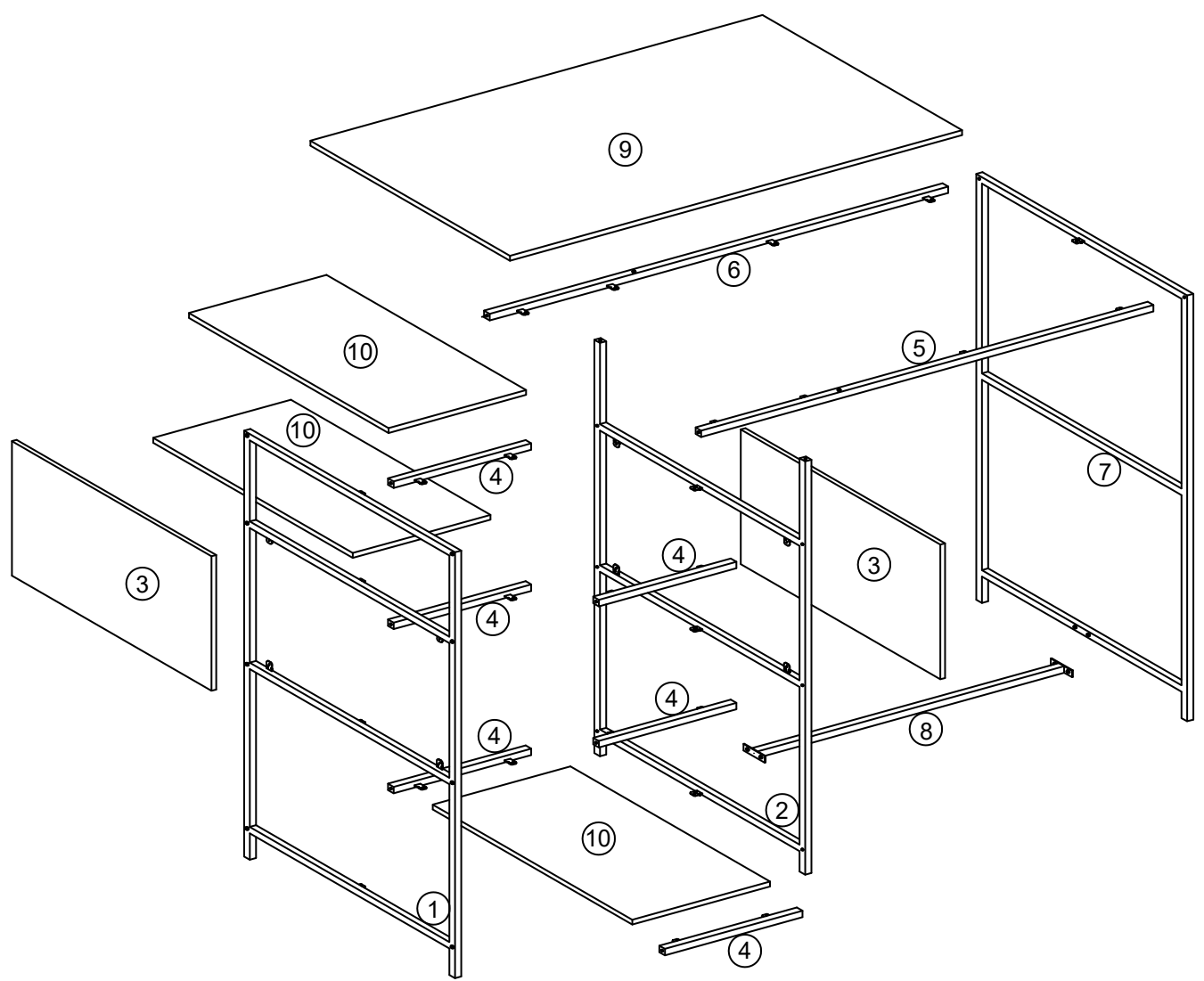
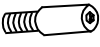



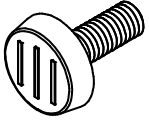


# SEAFORD


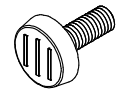


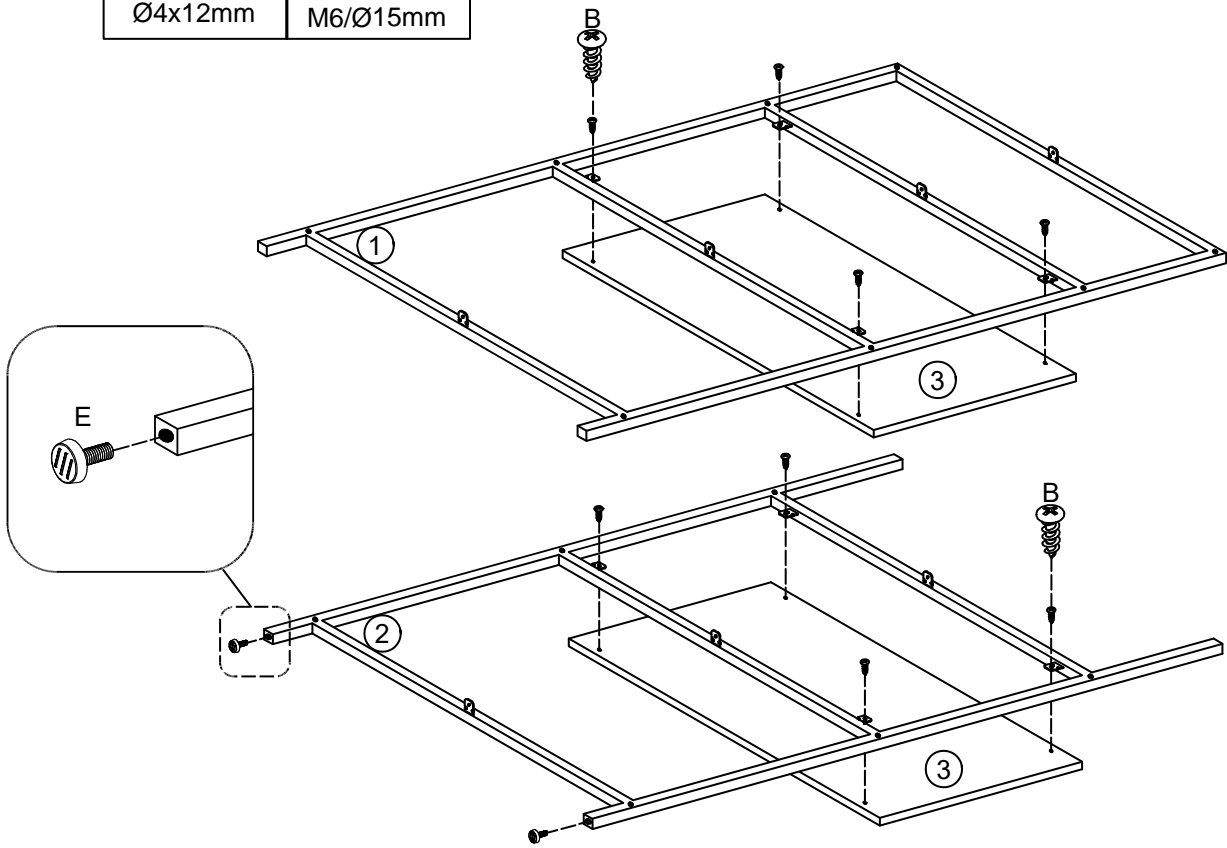
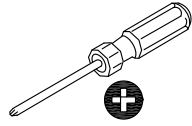
|   |   |                  |   |
|---|---|------------------|---|
|   |   |                  | ✓ |
| ① | 1 | 1053x600x36/16mm |   |
| ② | 1 | 1027x600x36/16mm |   |
| ③ | 2 | 566x330x12mm     |   |
| ④ | 6 | 352x36x16mm      |   |
| ⑤ | 1 | 1168x36x16mm     |   |
| ⑥ | 1 | 1168x36x16mm     |   |
| ⑦ | 1 | 1053x600x36/16mm |   |
| ⑧ | 1 | 800x60x16mm      |   |
| ⑨ | 1 | 1167x567x12mm    |   |
| ⑩ | 3 | 567x351x12mm     |   |





|  |  |   |   |  |
|--|--|---|---|--|
| <p>A x 18</p>  <p>M6 x 15mm</p> | <p>B x 36</p>  <p>Ø4 x 12mm</p> | <p>C x 4</p>  <p>M6x12mm</p> | <p>D x 1</p>  <p>4mm</p> | <p>E x 2</p>  <p>M6/Ø15mm</p> |
|--|--|---|---|--|

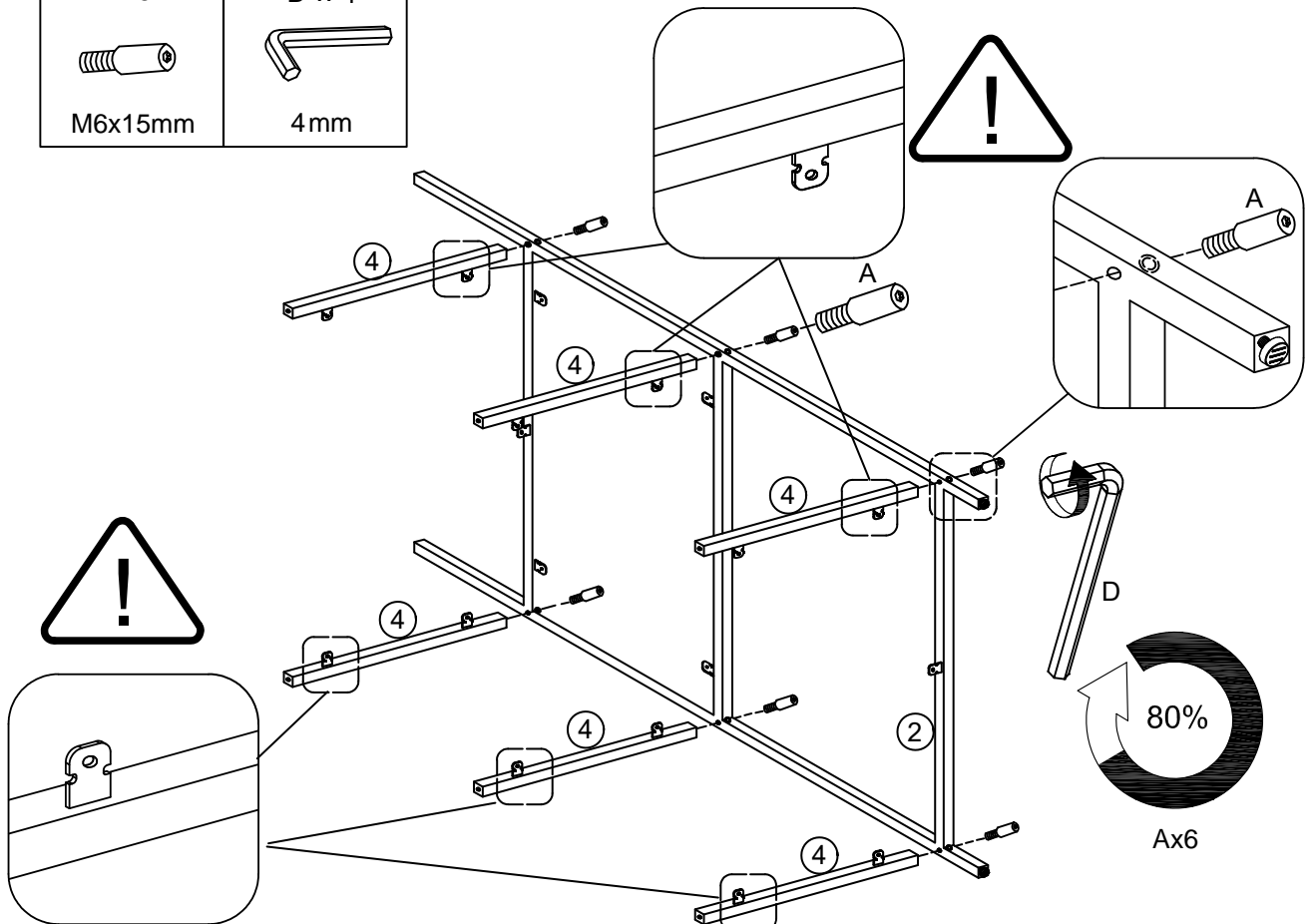
# 1

|   |  |
|---|--|
| B x 8<br><br>Ø4x12mm | E x 2<br><br>M6/Ø15mm |
|---|--|





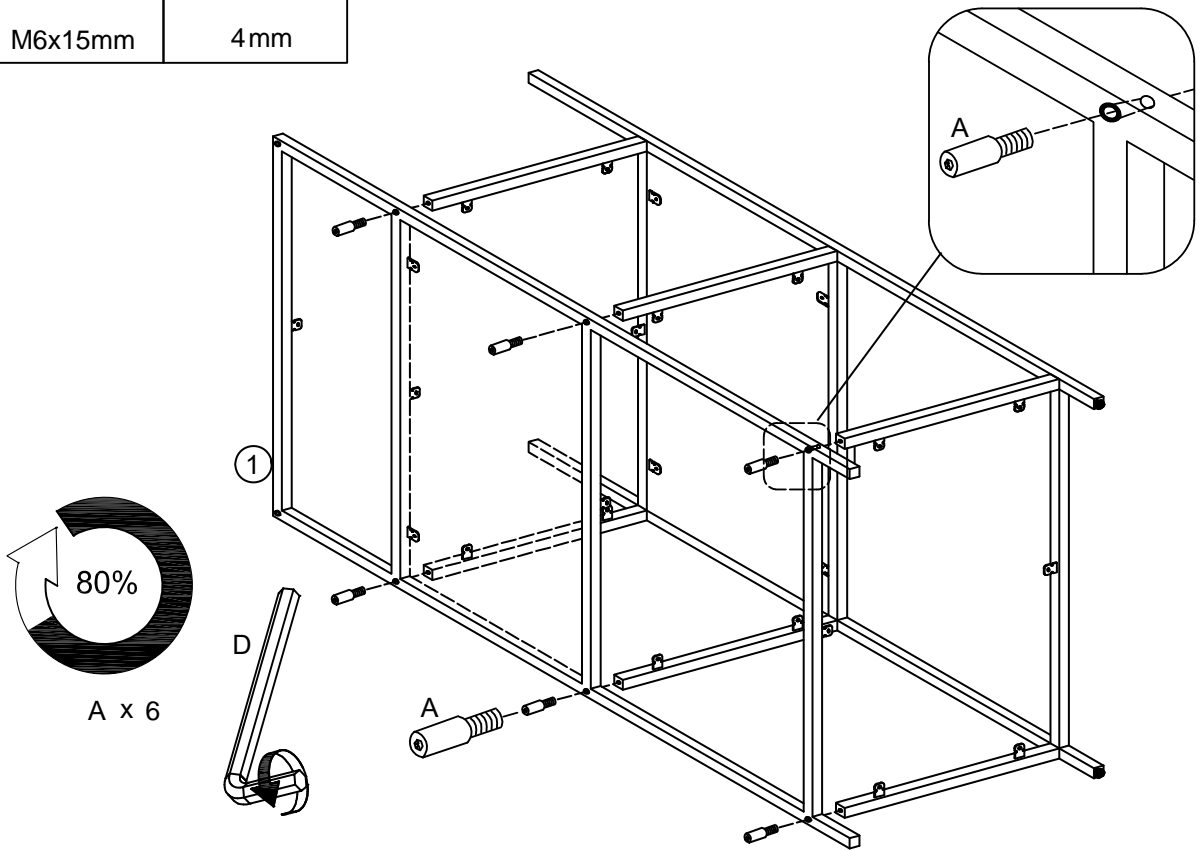
# 2

|   |   |
|---|---|
| A x 6<br><br>M6x15mm | D x 1<br><br>4mm |
|---|---|






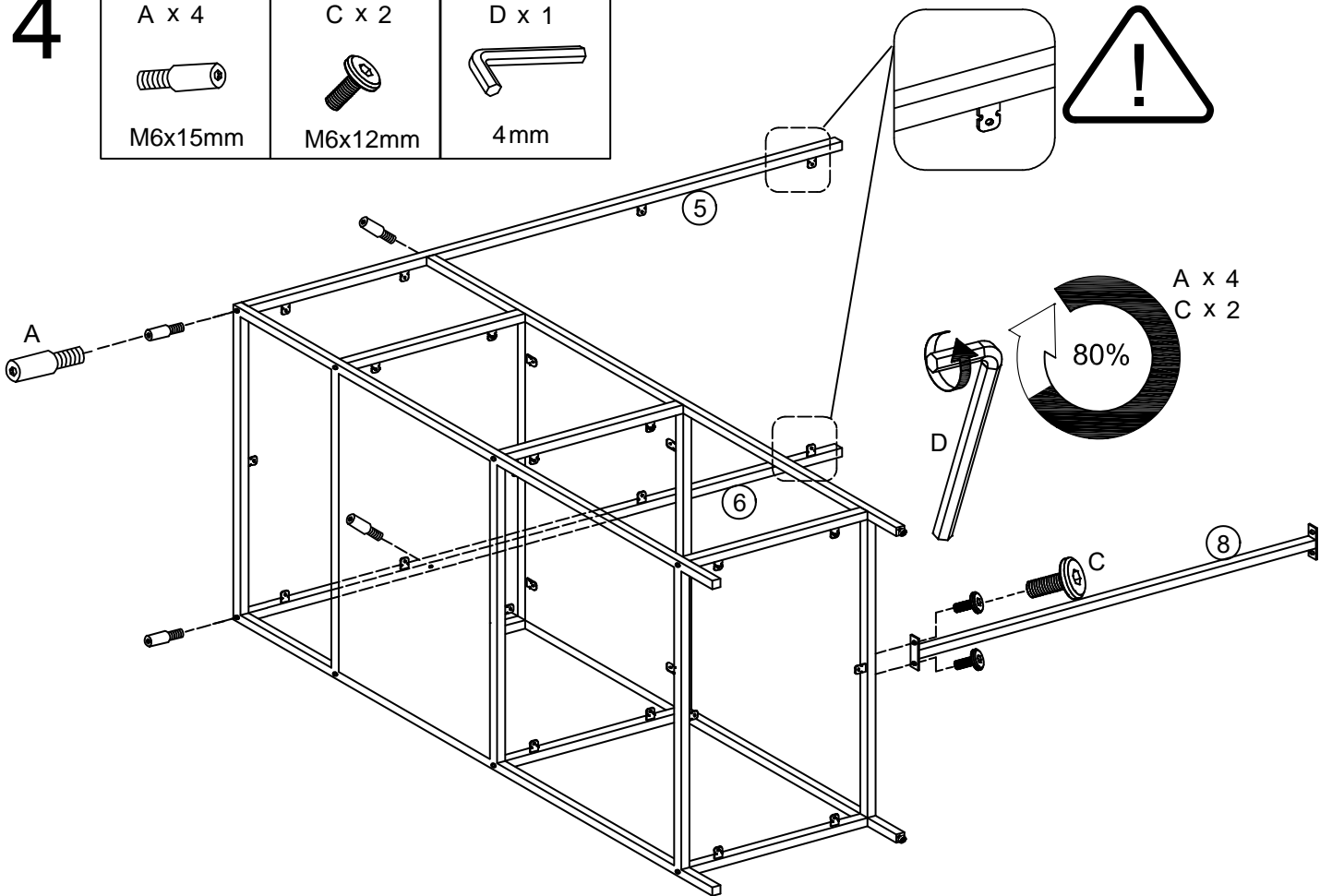
# 3

|   |   |
|---|---|
| A x 6   | D x 1   |
|  |  |
| M6x15mm   | 4mm   |






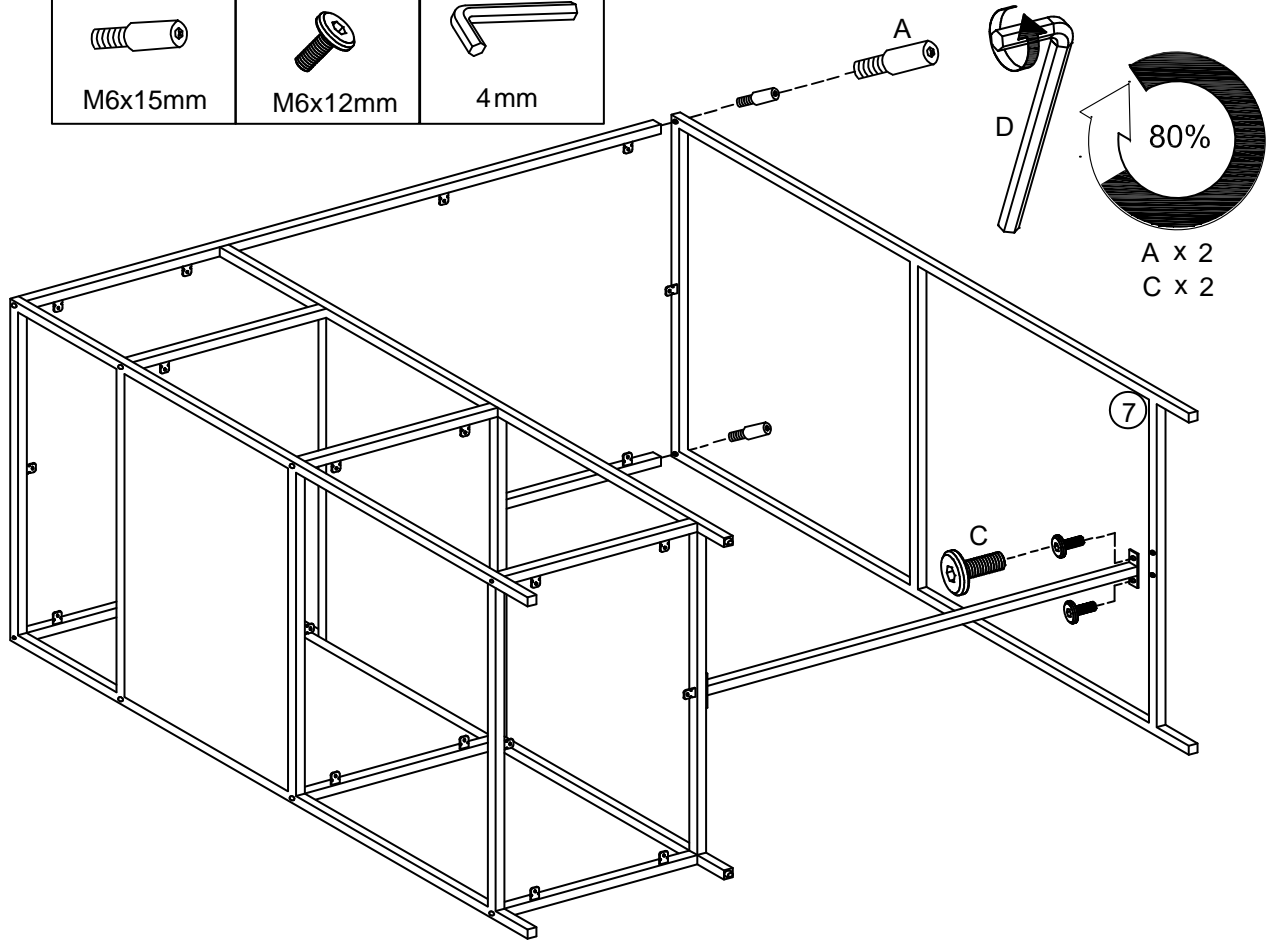
# 4

|   |   |   |
|---|---|---|
| A x 4   | C x 2   | D x 1   |
|  |  |  |
| M6x15mm   | M6x12mm   | 4mm   |




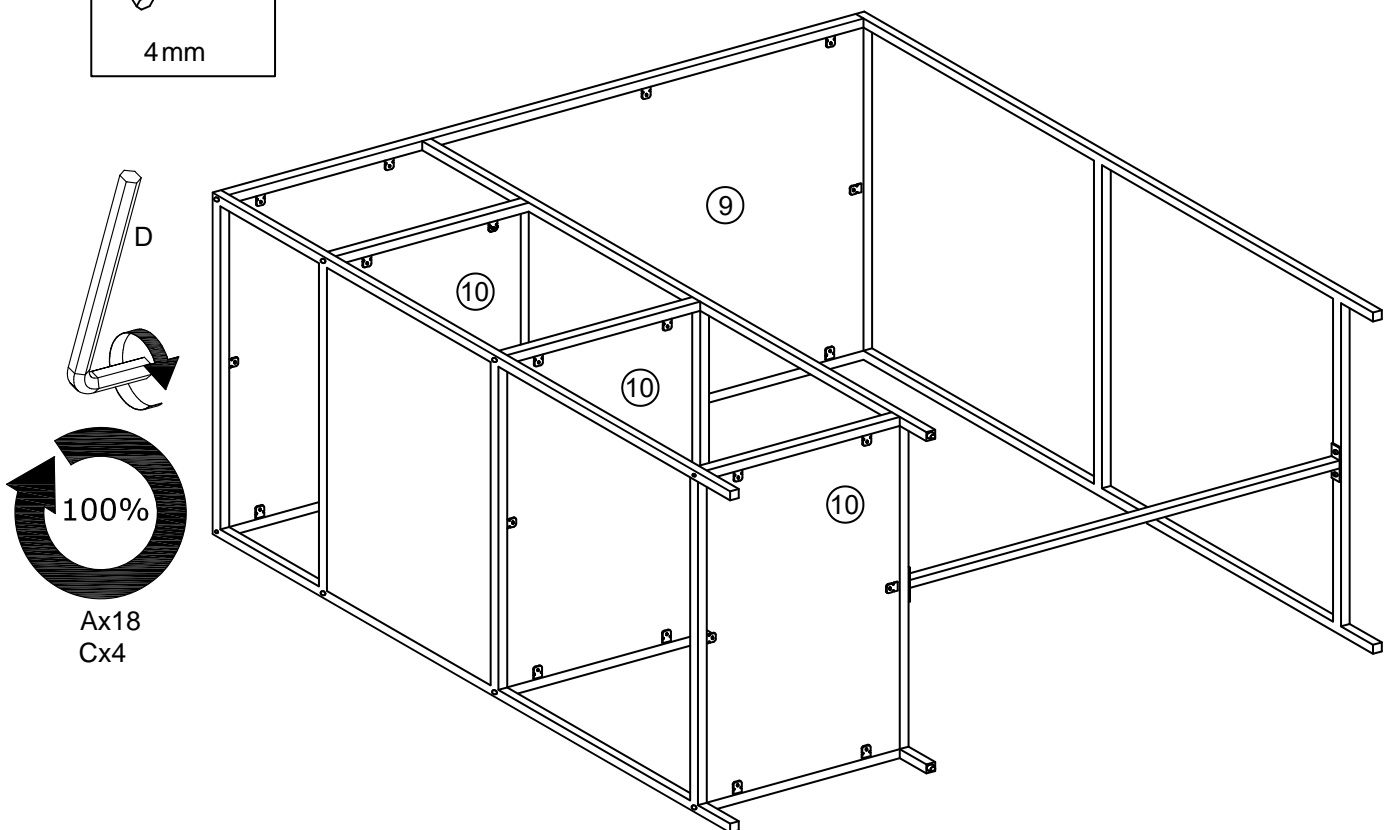
# 5

|   |   |   |
|---|---|---|
| A x 2<br><br>M6x15mm | C x 2<br><br>M6x12mm | D x 1<br><br>4mm |
|---|---|---|




# 6

|   |
|---|
| D x 1<br><br>4mm |
|---|

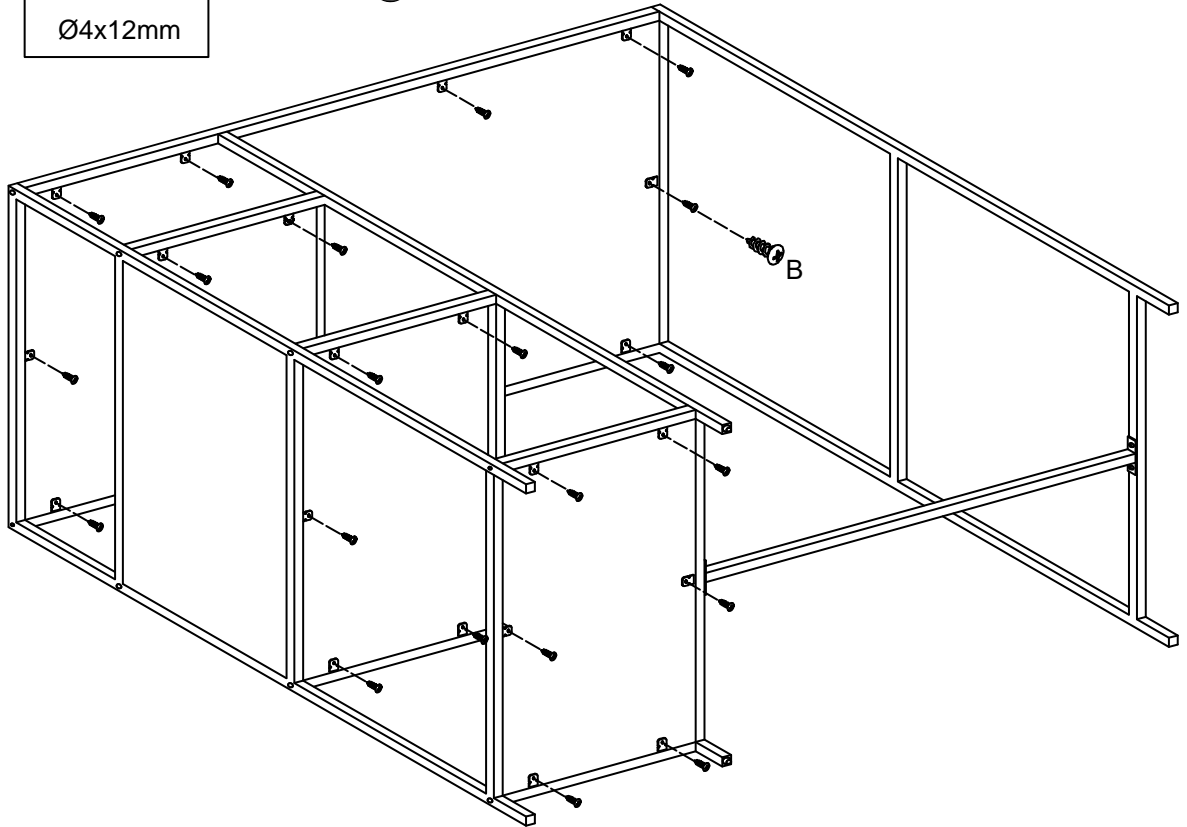
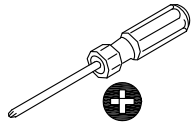


7

B x 28



Ø4x12mm



8

