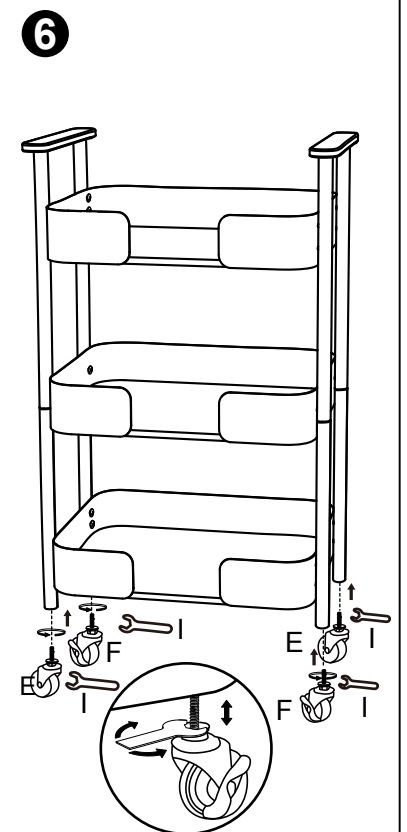
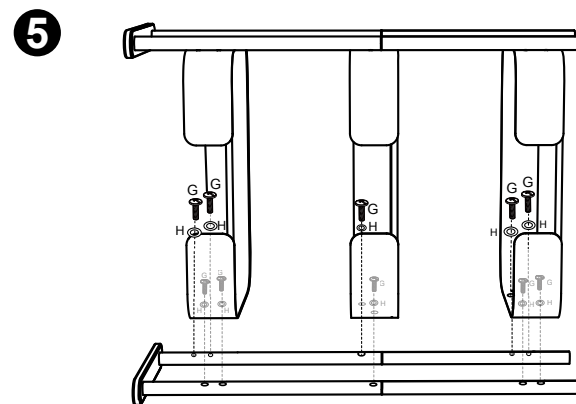
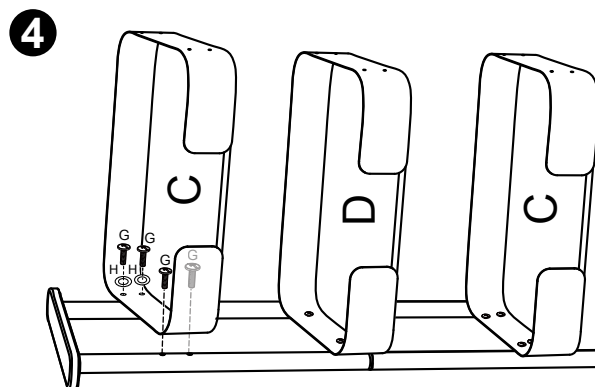
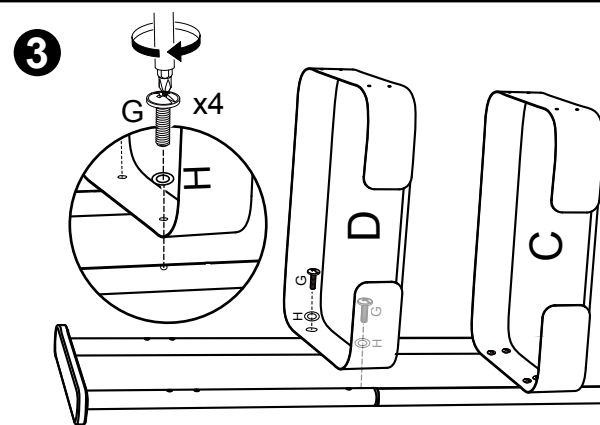
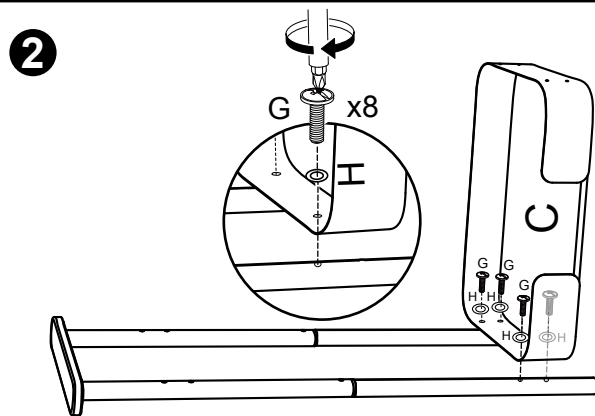
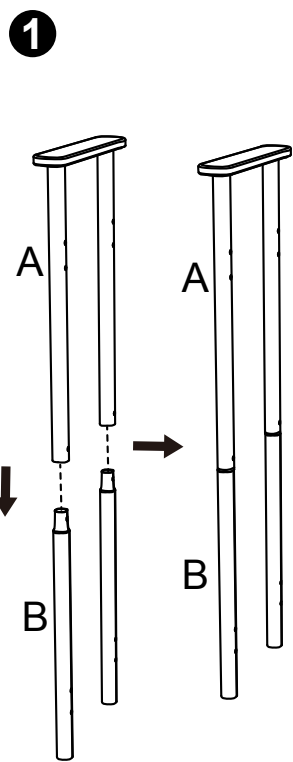
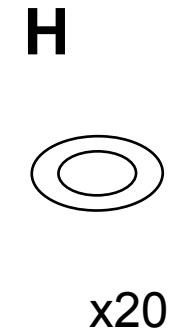
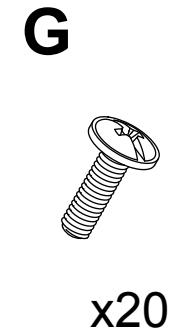
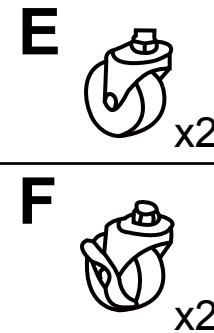
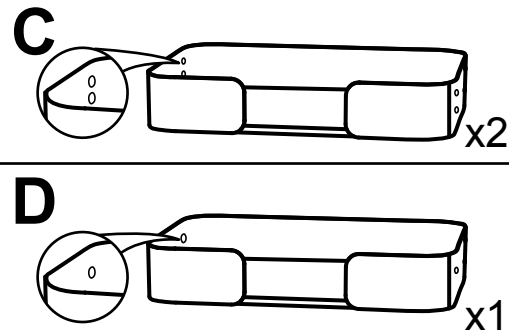
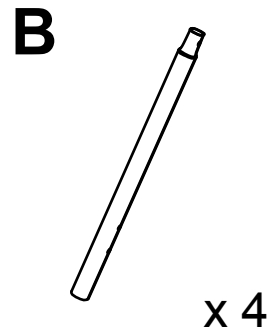
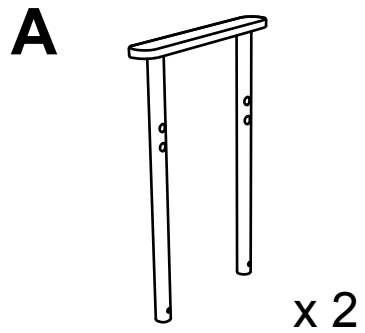



# Instruction Manual



 Two persons are needed for the installation of this storage rack.