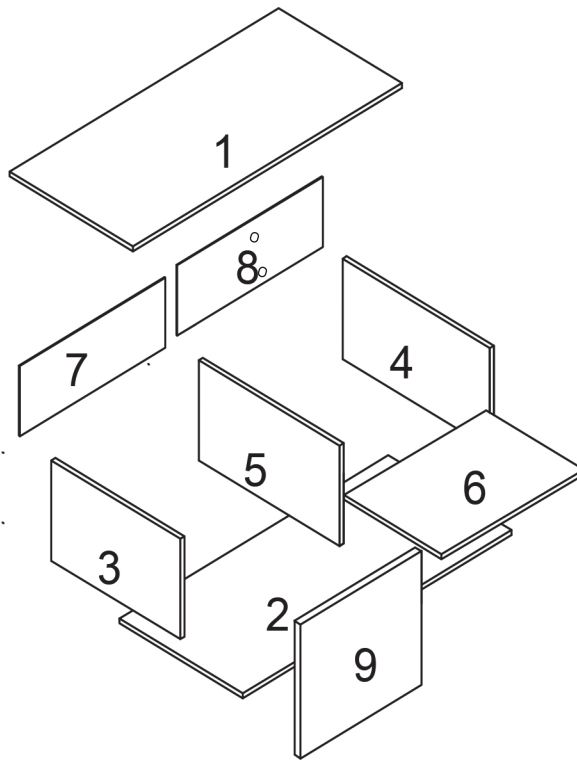
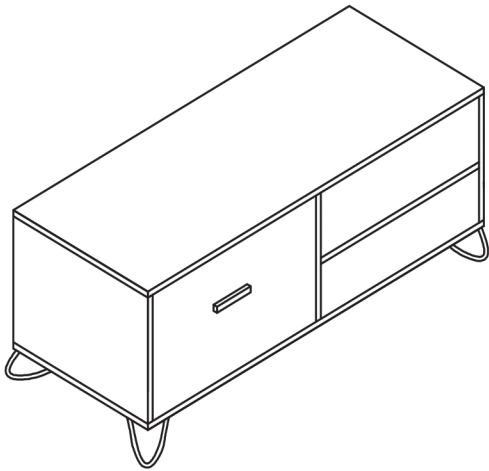


# Assembly Instructions



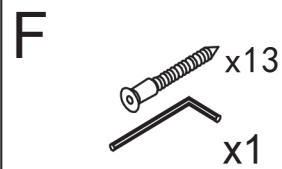
x6



x6



x6



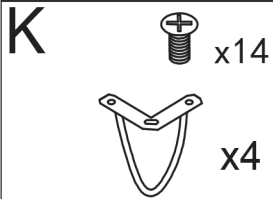
x13

x1



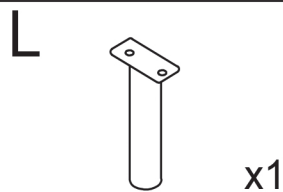
x2

x1

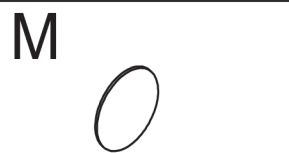


x14

x4



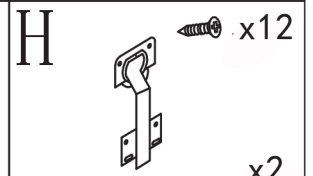
x1



x19

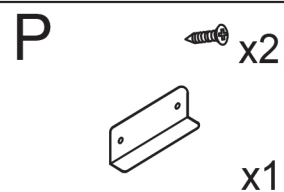


x1



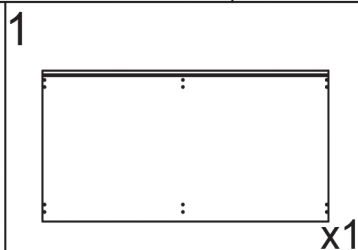
x12

x2

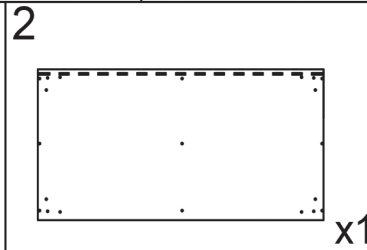


x2

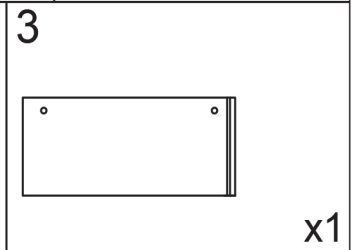
x1



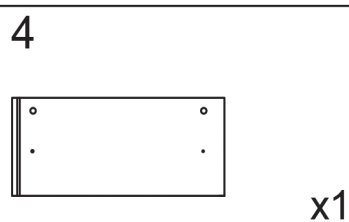
x1



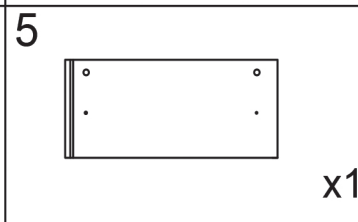
x1



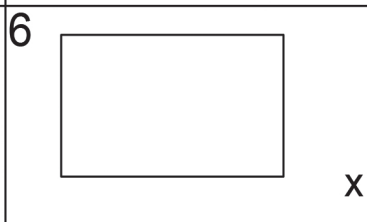
x1



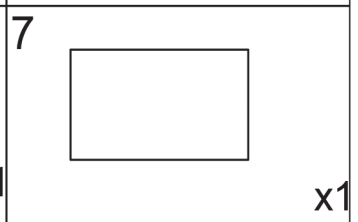
x1



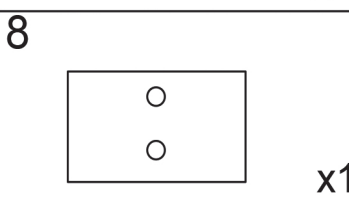
x1



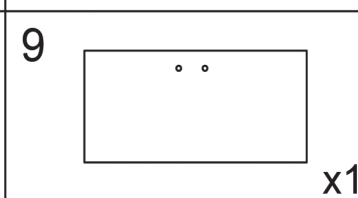
x1



x1



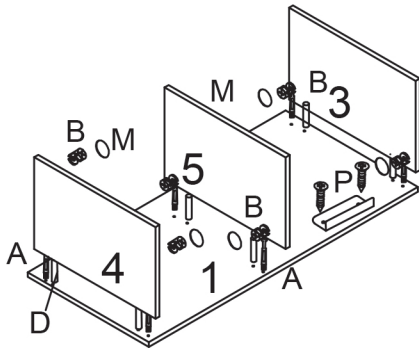
x1



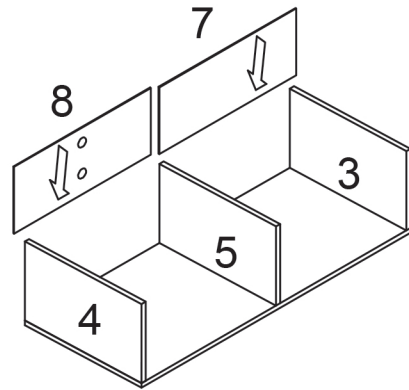
x1

# Assembly Instructions

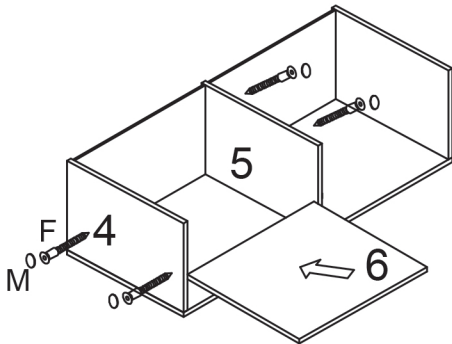
01



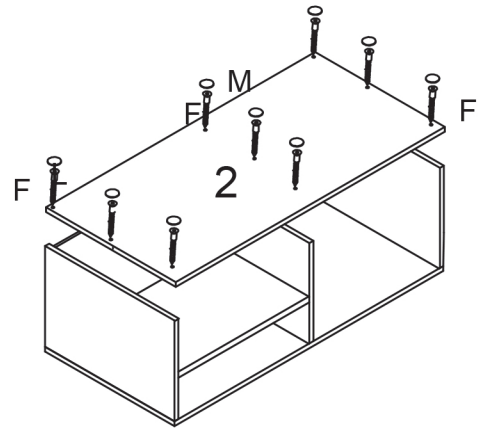
02



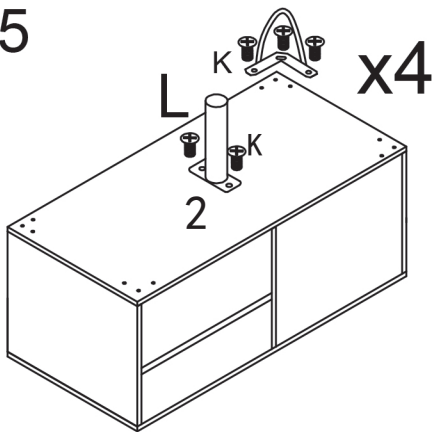
03



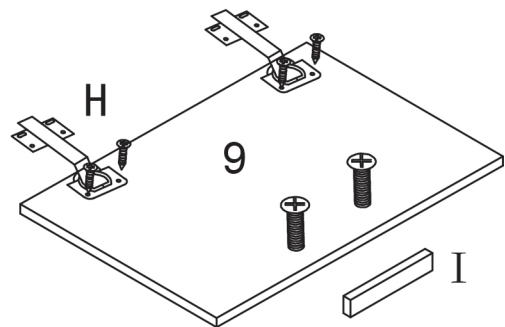
04



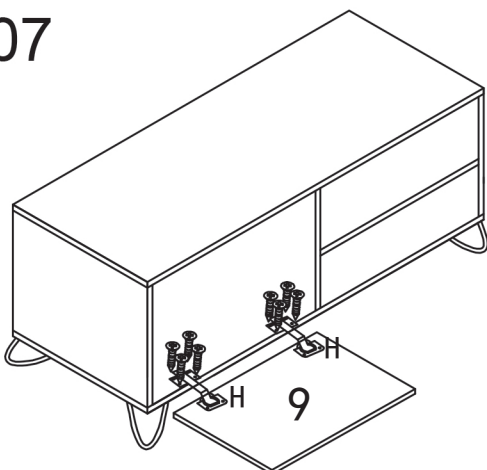
05



06



07



08

