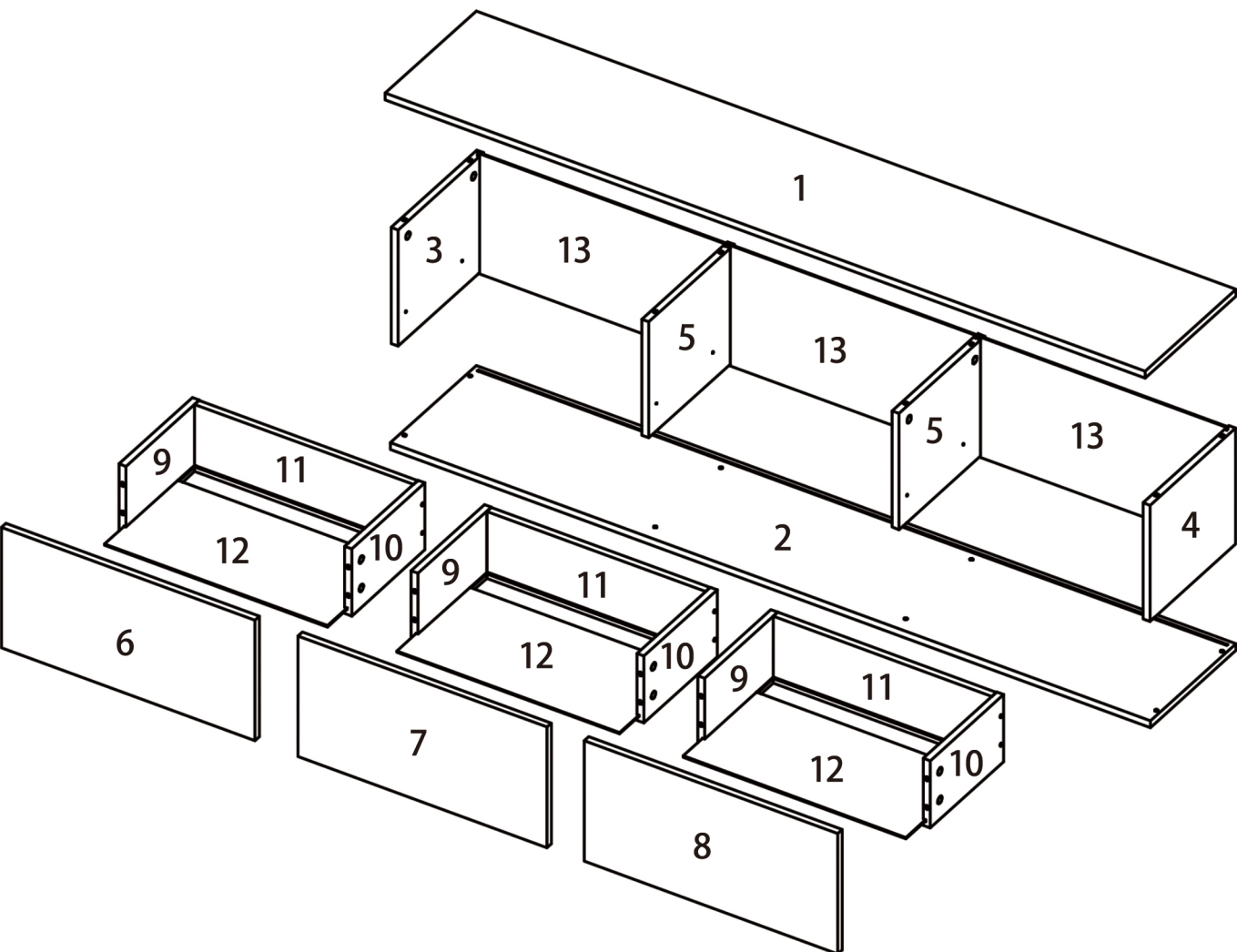
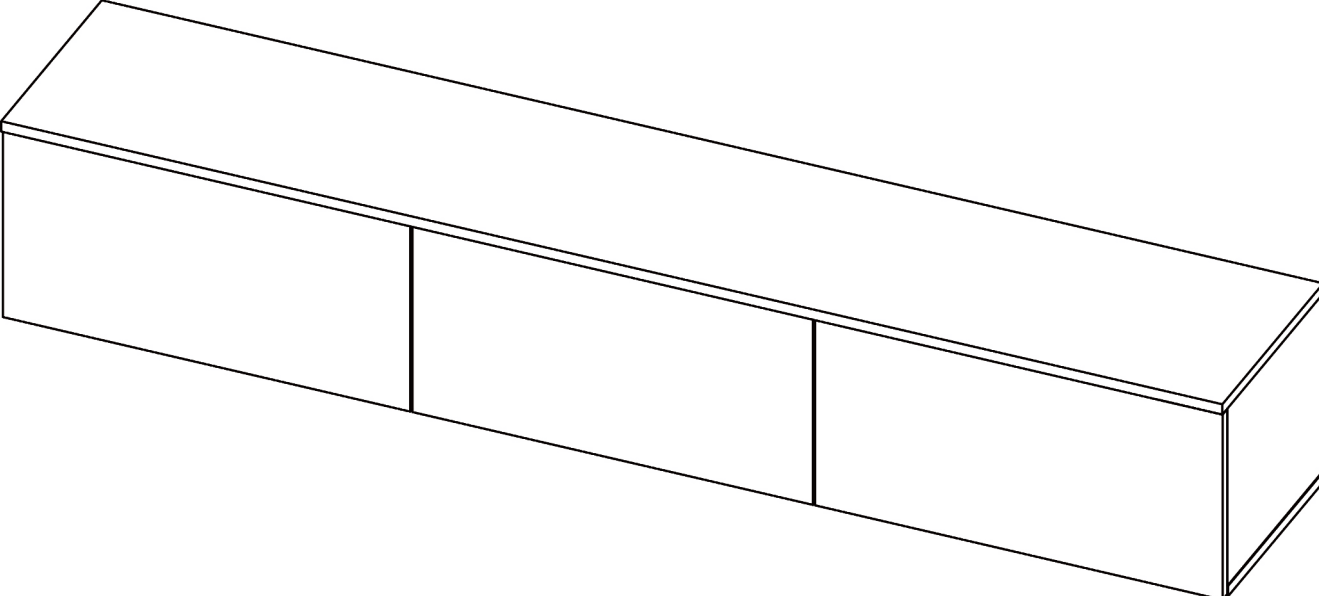



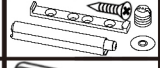

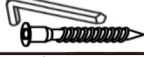








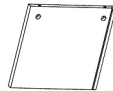
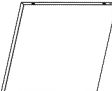
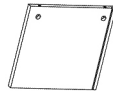

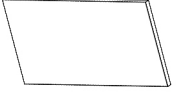
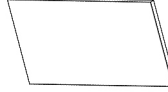
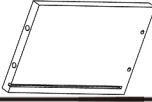
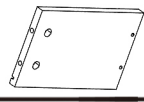
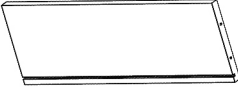

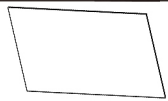
Assembly Instruction



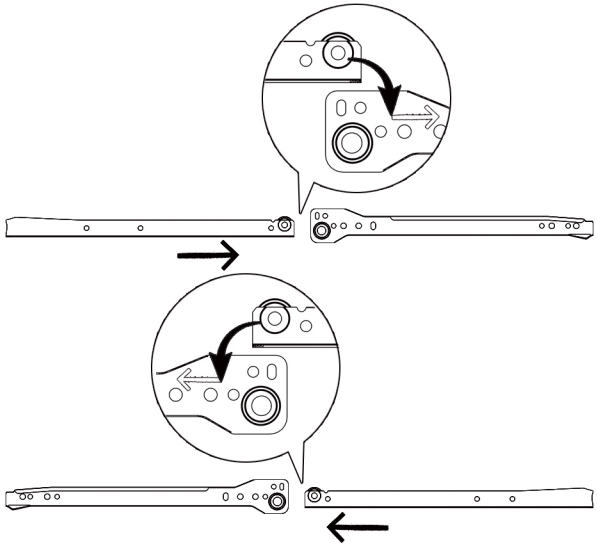
Accessories list

	Parts	Specification	Carton	Pcs		Parts	Specification	Carton	Pcs
A		6×40	1/1	X 20	B		15×11	1/1	X 20
C		10 inches	1/1	X 3	D		M3×10	1/1	X 3
E		3.5×14	1/1	X 36	F		5×40/#3	1/1	X20/1
G		10×40	1/1	X 6	H		Backplane	1/1	X 12
J		3×14	1/1	X 12	L		21mm	1/1	X 12

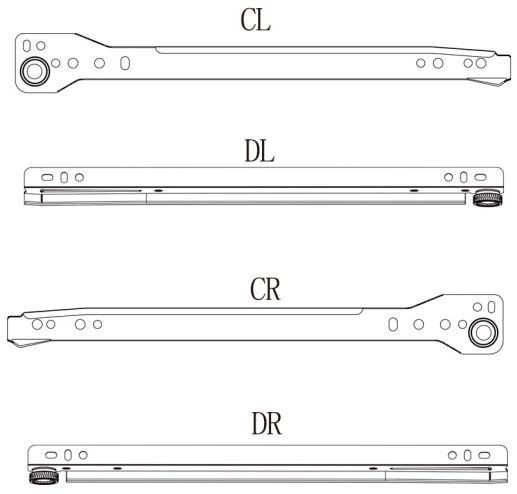
Company: (mm)

1		X1	1650x310	1/1	2		X1	1650x292	1/1
3		X1	292x260	1/1	4		X1	292x260	1/1
5		X2	292x260	1/1	6		X1	550.5x270	1/1
7		X1	541x270	1/1	8		X1	550.5x270	1/1
9		X3	250x150	1/1	10		X3	250x150	1/1
11		X3	475x150	1/1	12		X3	484x243	1/1
13		X3	538x269	1/1					

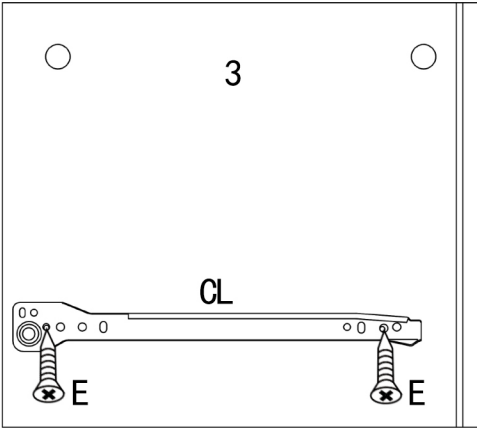
1



2

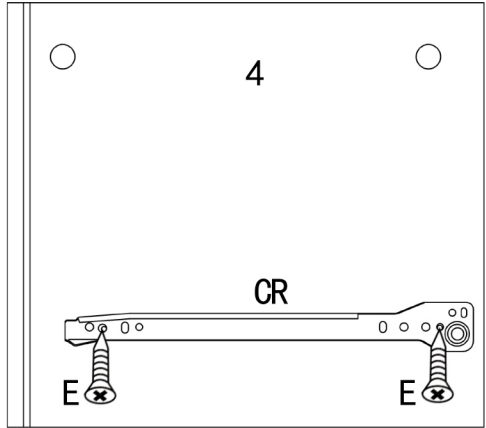


3



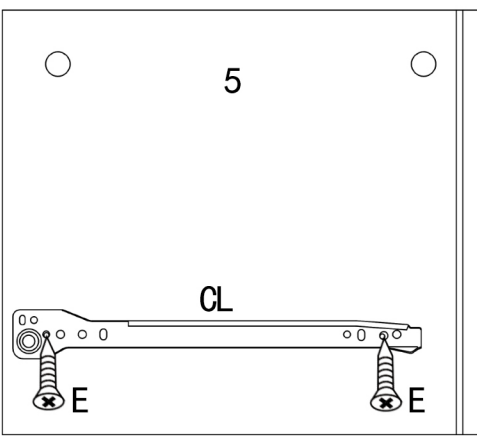
Ex2 CLx1

4



Ex2 CRx1

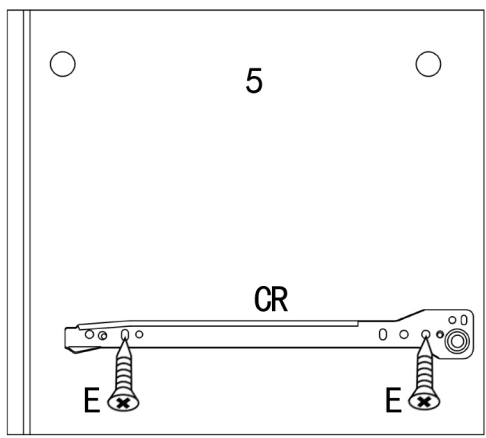
5



Ex4 CLx2

X2

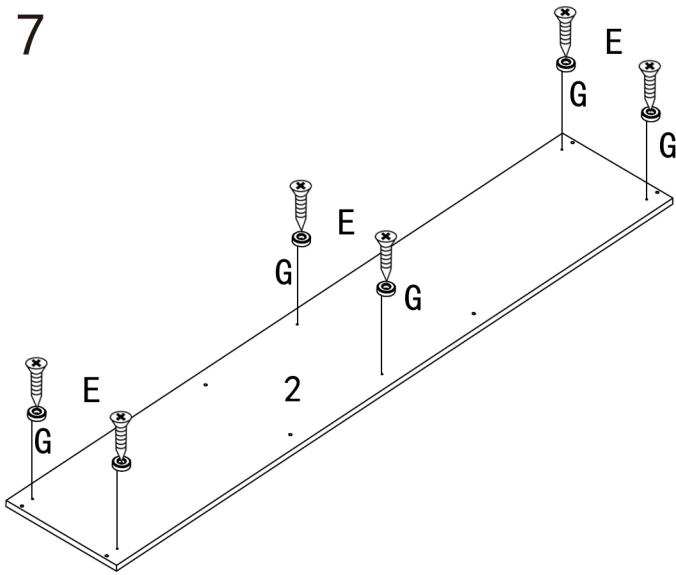
6



Ex4 CRx2

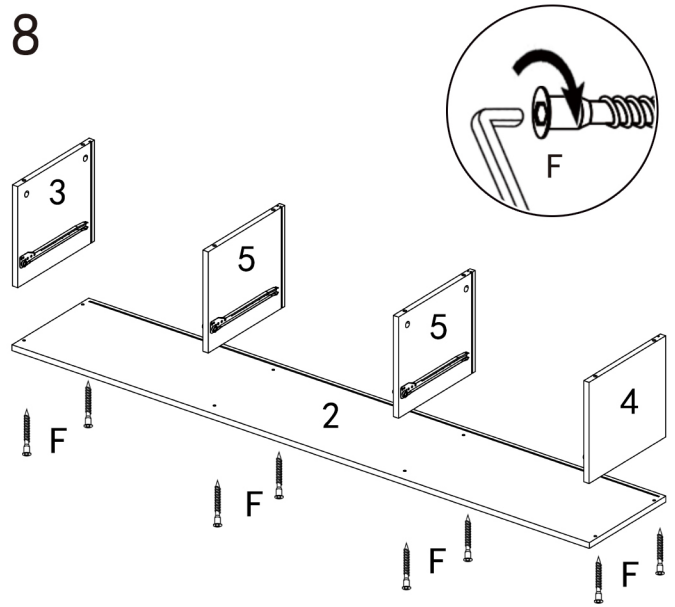
X2

7



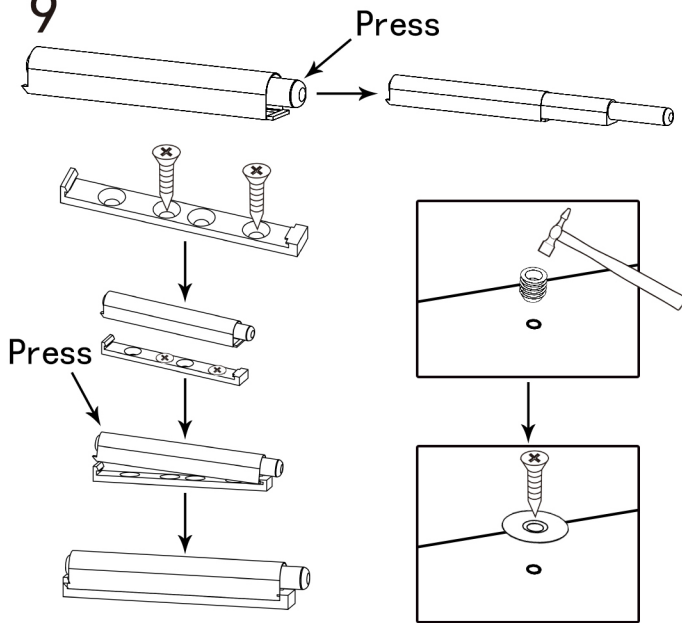
Gx6 Ex6

8

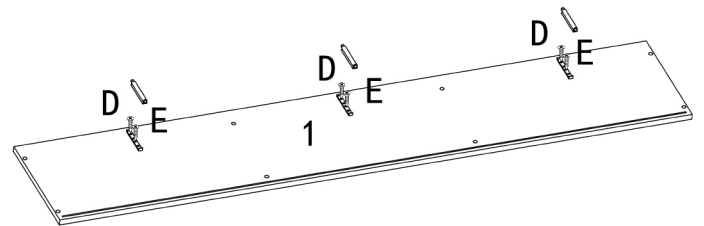


Fx8

9

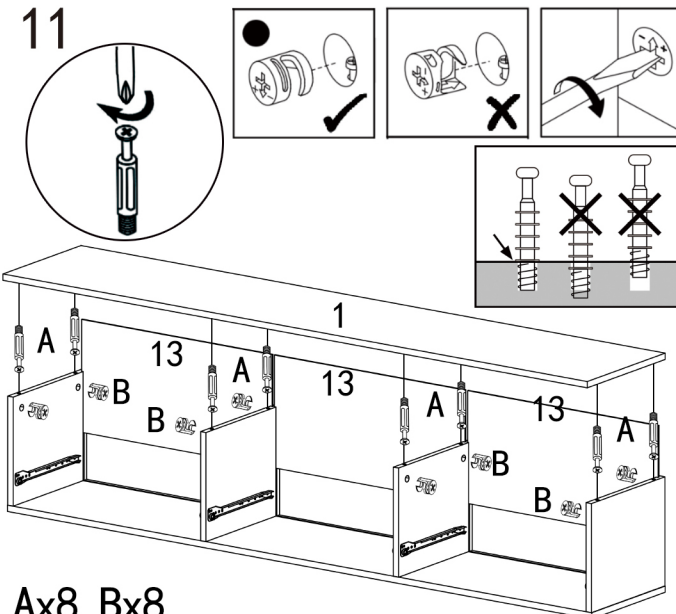


10



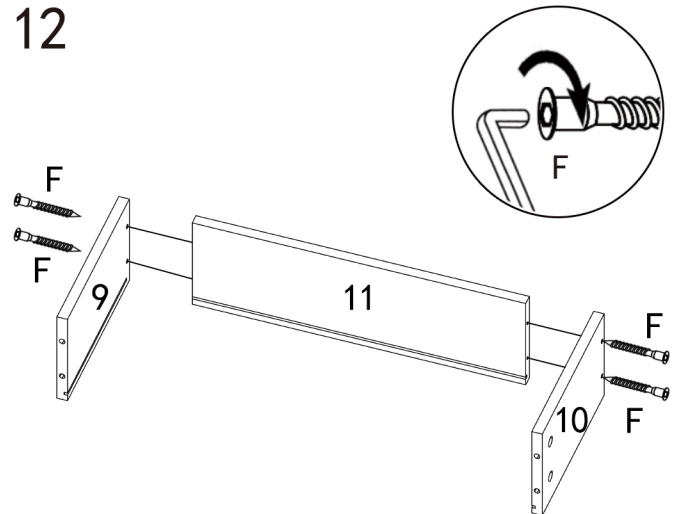
Dx3 Ex6

11



Ax8 Bx8

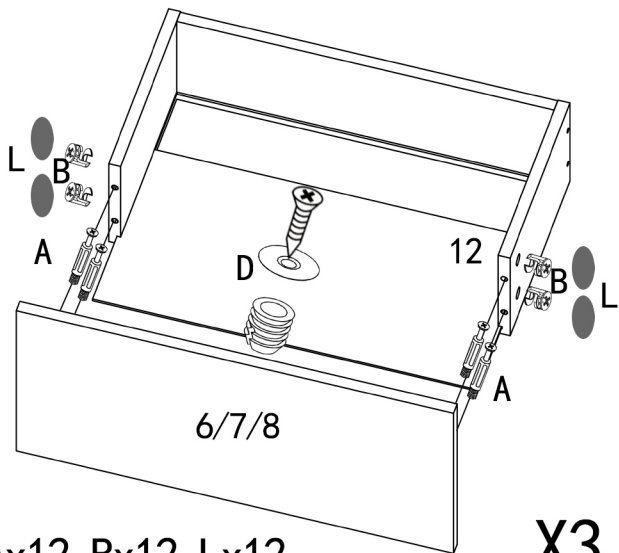
12



Fx12

X3

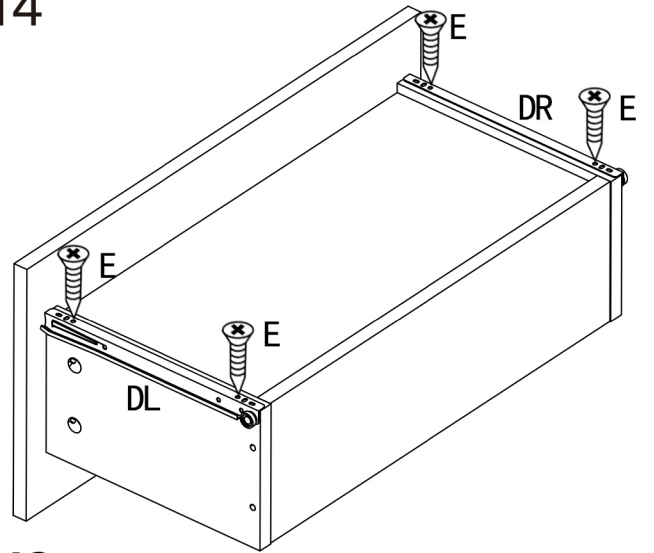
13



Ax12 Bx12 Lx12

X3

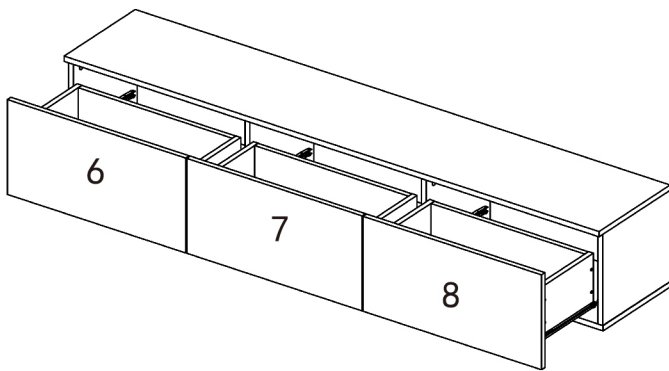
14



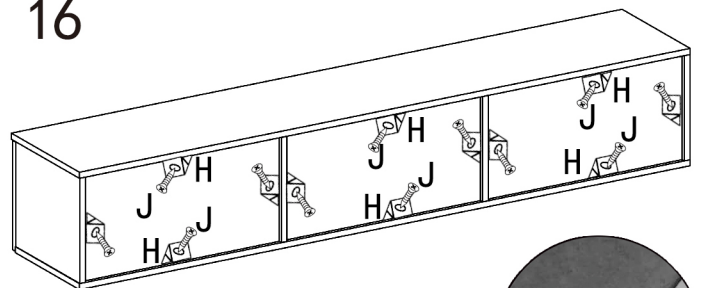
X3

DLx3 DRx3 Ex12

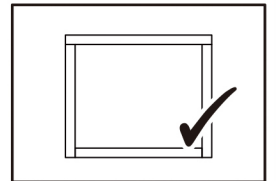
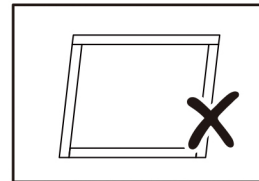
15



16



Jx12
Hx12



17

