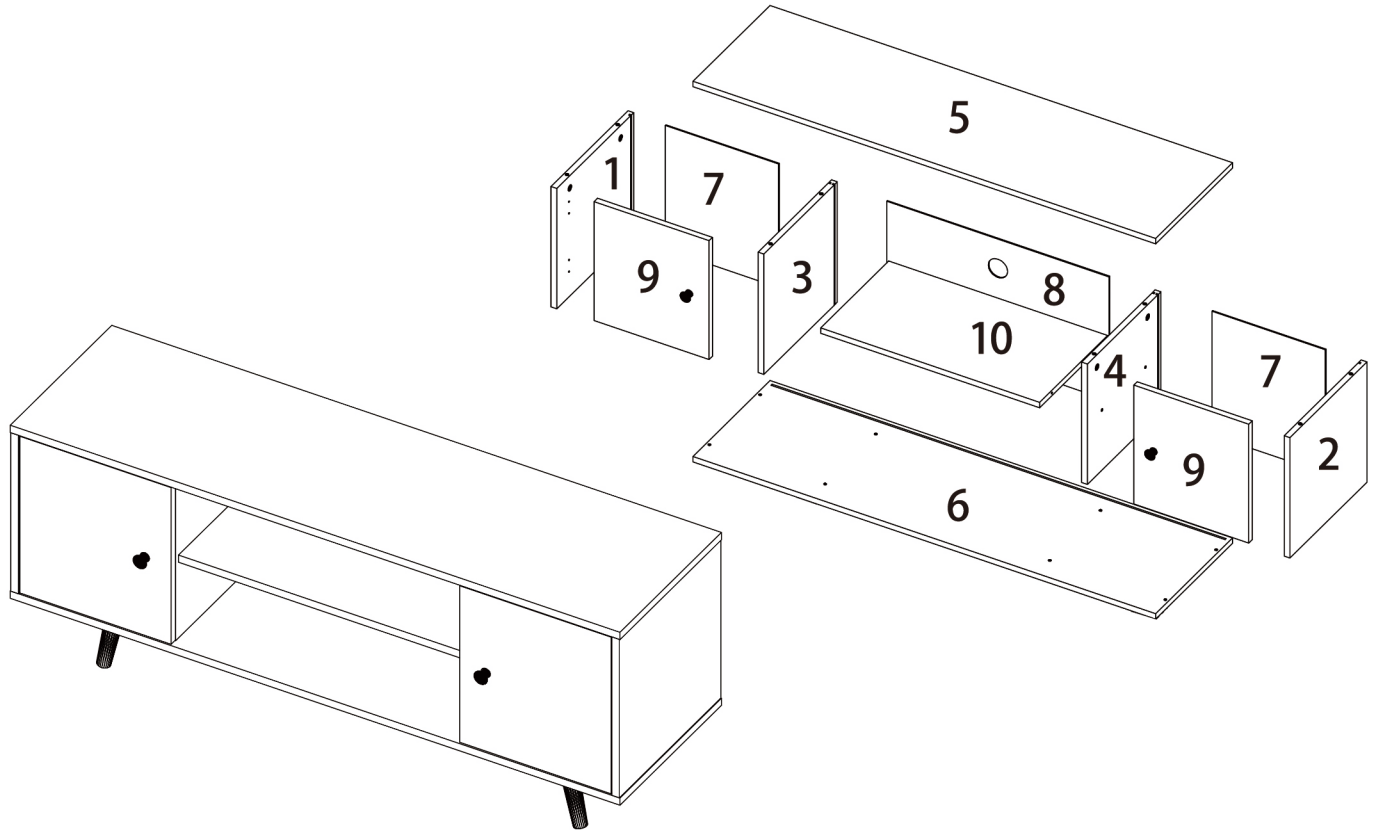
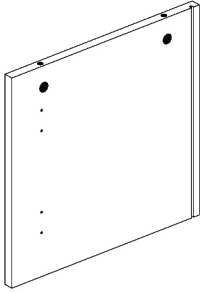
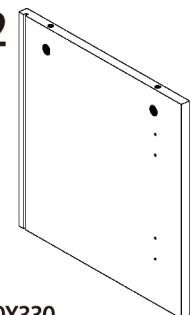
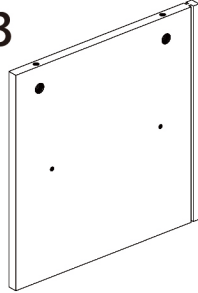
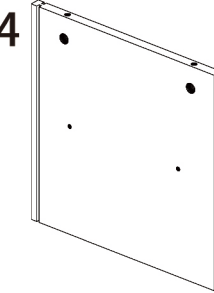
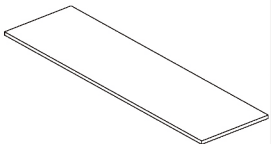
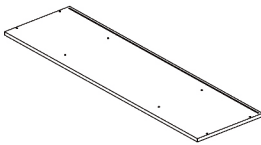
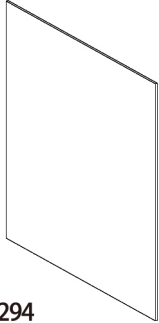
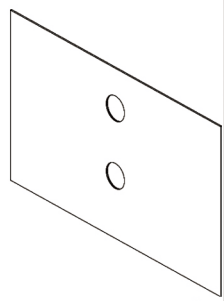
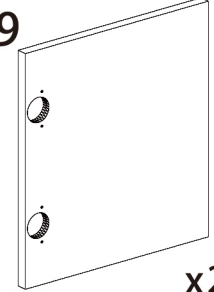
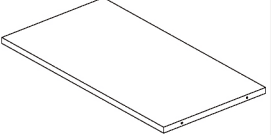













Assembly Instruction

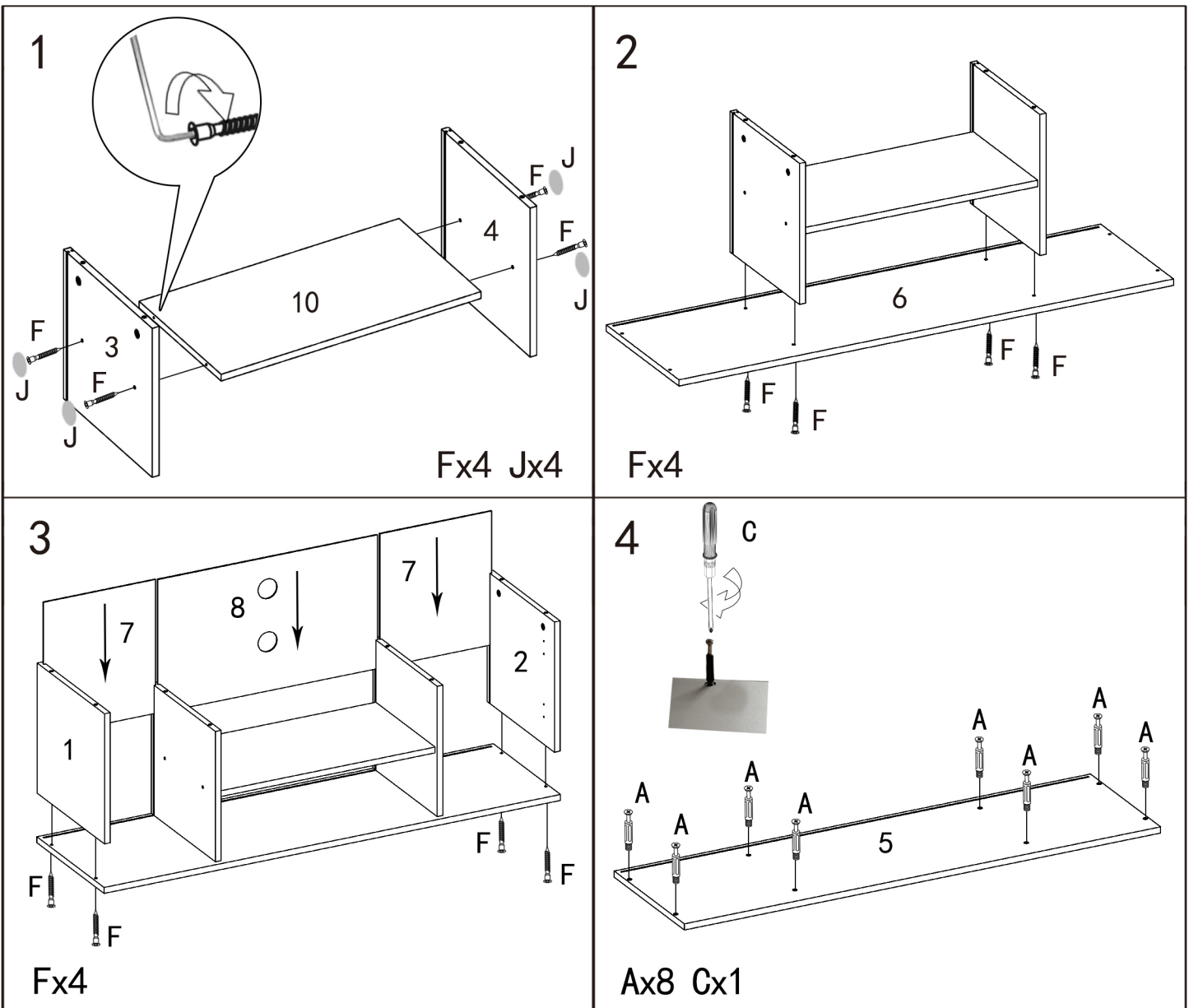


Company: (mm)

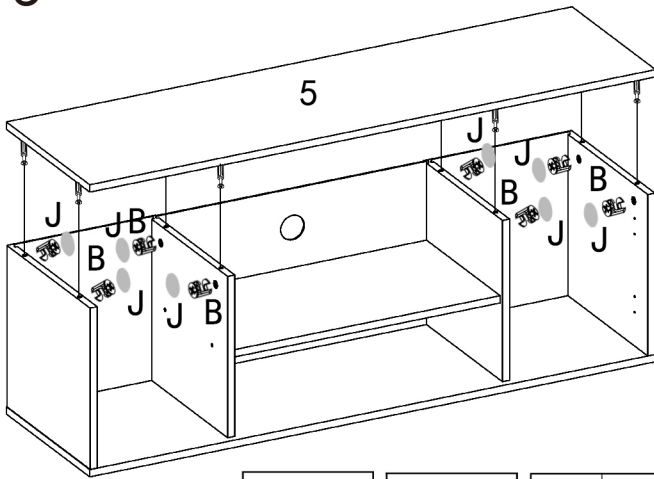
<p>1</p>  <p>340X330 1/1</p>	<p>2</p>  <p>340X330 1/1</p>	<p>3</p>  <p>330X324 1/1</p>	<p>4</p>  <p>330X324 1/1</p>	<p>5</p>  <p>1200X340 1/1</p>
<p>6</p>  <p>1200X340 1/1</p>	<p>7</p>  <p>339X294 x2 1/1</p>	<p>8</p>  <p>577X339 1/1</p>	<p>9</p>  <p>326X298 x2 1/1</p>	<p>10</p>  <p>568X300 1/1</p>

Accessories list

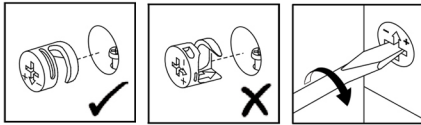
	Parts	Accessory specification	A/B	Pcs
A		6×40mm	1/1	X 8
B		11×15mm	1/1	X 8
E		3.5×14mm	1/1	X 44
F		5×40mm/#3	1/1	X 12/1
H		Hinge	1/1	X 4
I		M4×18	1/1	X 2/2
J		21mm	1/1	X 12
L		3×14mm	1/1	X 4/4
M		68×70mm	1/1	X 4
K		140mm	1/1	X 4
C			1/1	X 1



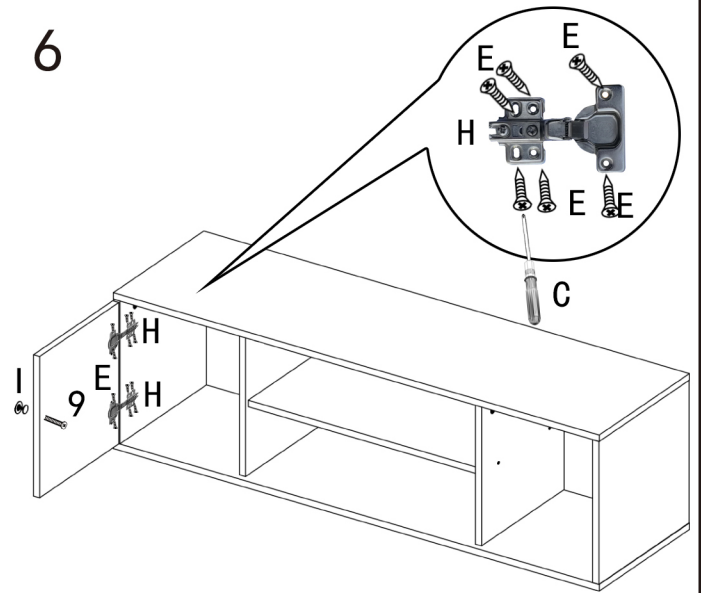
5



Bx8 Jx8



6

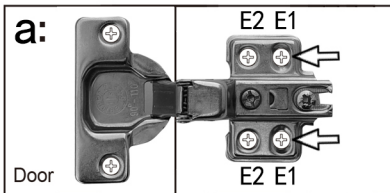


Ex12 Hx2 Ix1

7

Hinge adjustment

To facilitate the adjustment, install the E1 screw first, and then install the E2 screw.

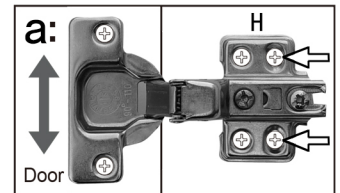
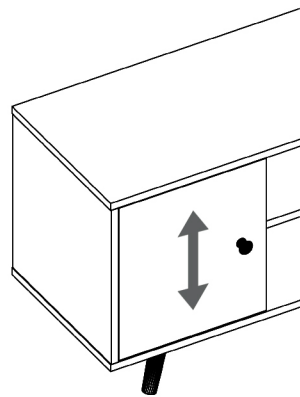


8

Hinge adjustment

a: To move doors up or down: loosen screws shown and move doors to suit.

Once doors are aligned, re-tighten Screws H

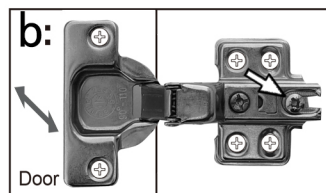
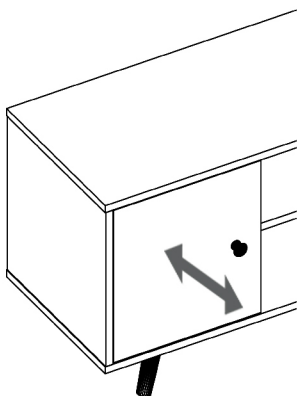


9

Hinge adjustment

b: To move doors in or out: loosen screw shown and move doors to suit.

Re-tighten screws

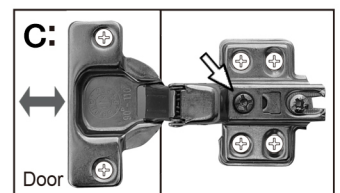
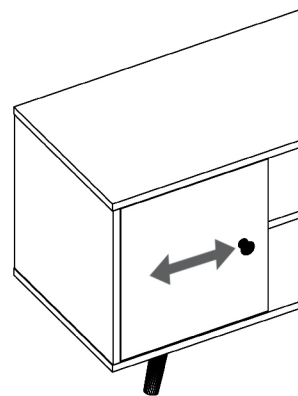


10

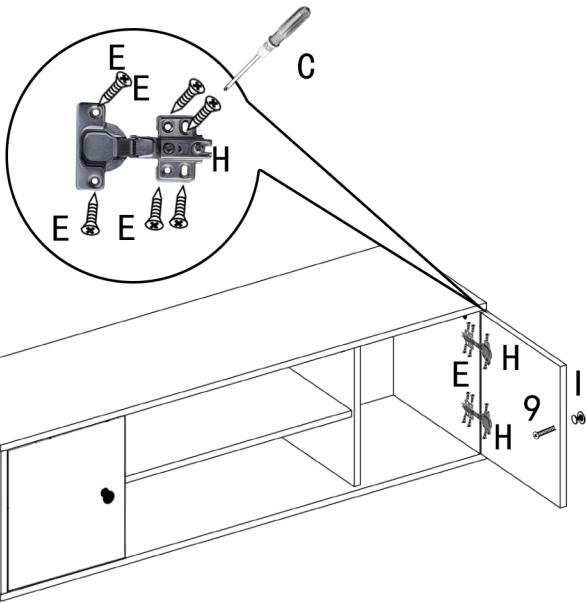
Hinge adjustment

c: To move doors left or right: loosen screw shown and move doors to suit.

Re-tighten screws

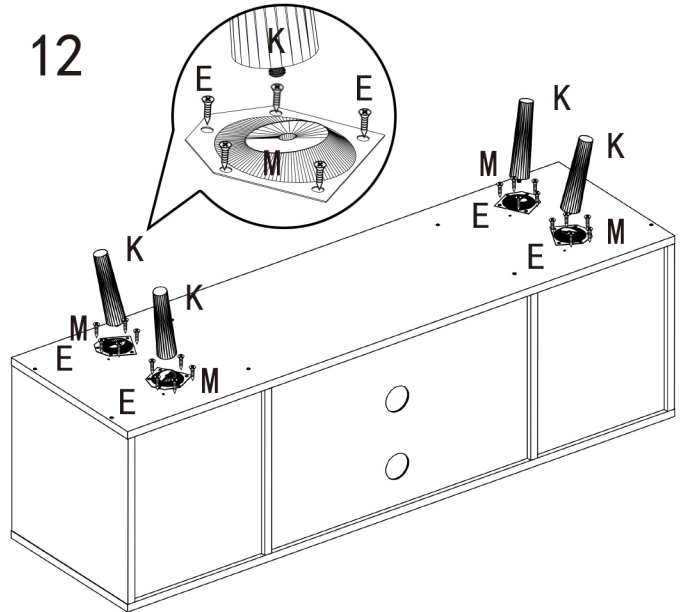


11



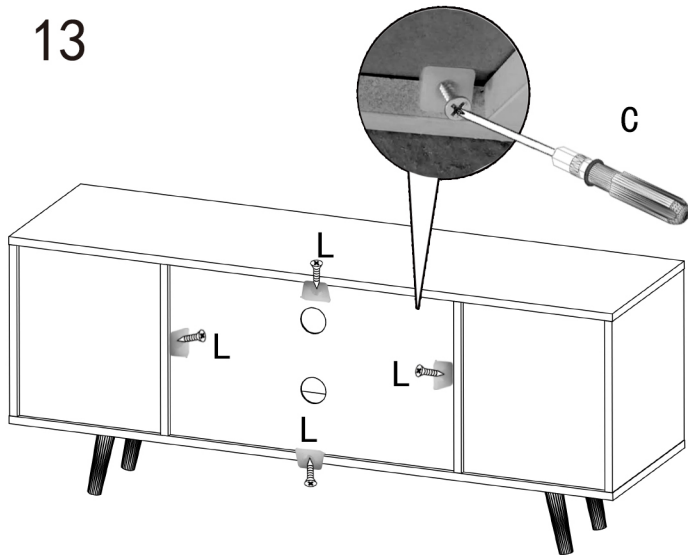
Ex12 Hx2 Ix1

12



Mx4 Ex20 Kx4

13



Lx4

14

