
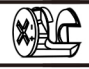







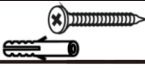





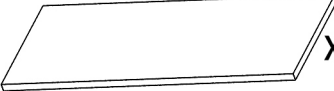
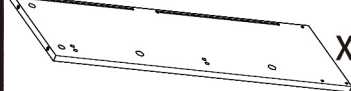
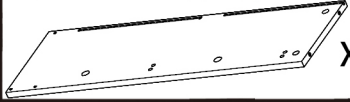



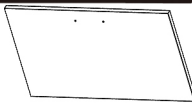
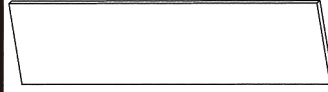

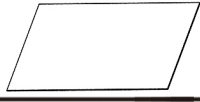
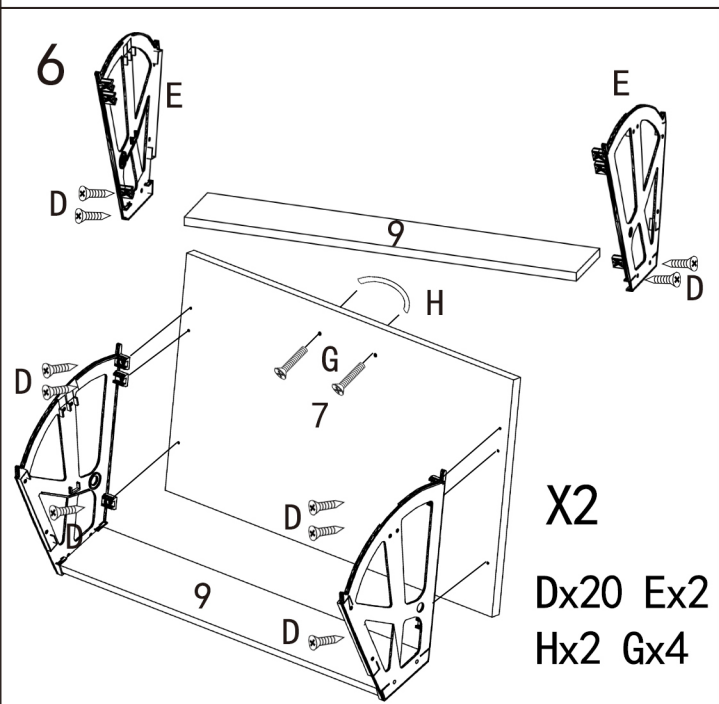
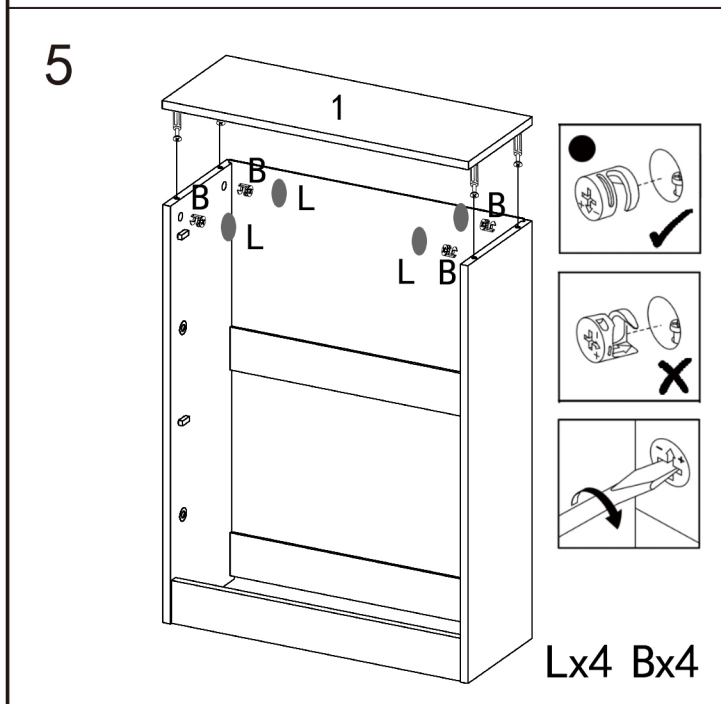
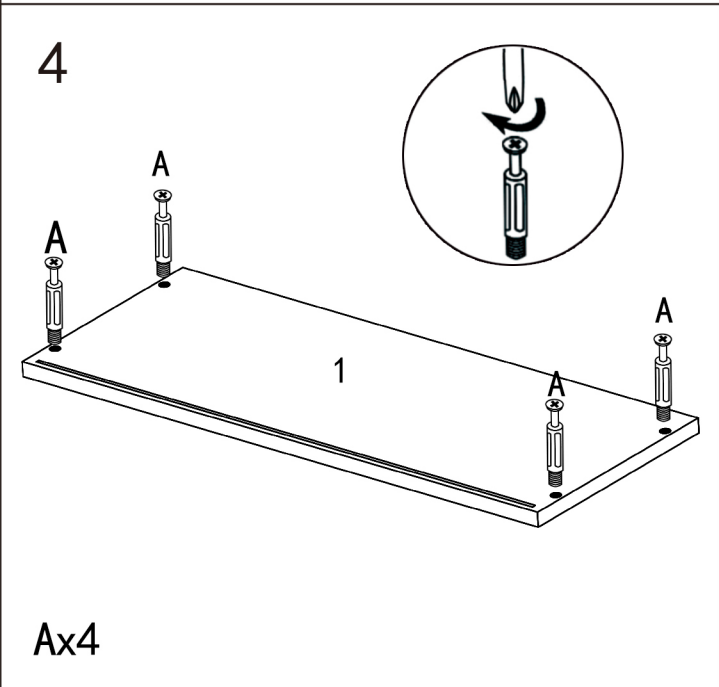
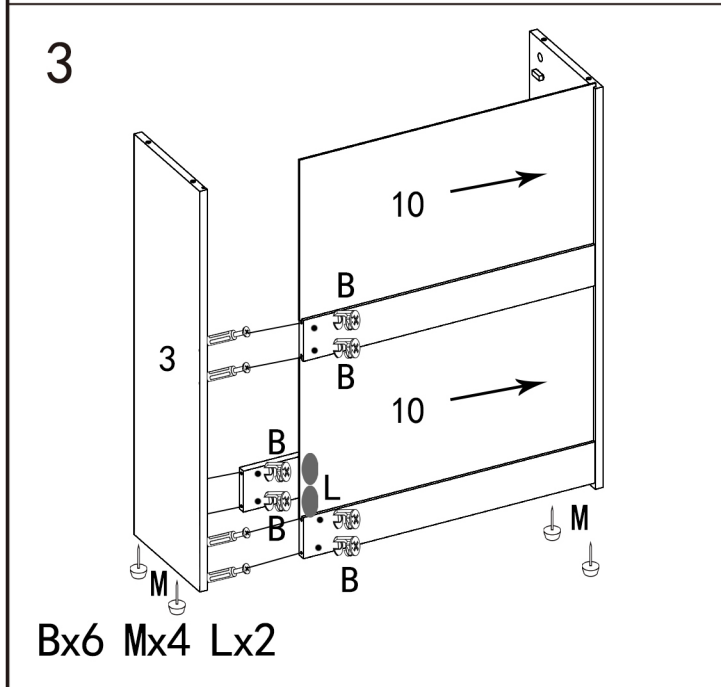
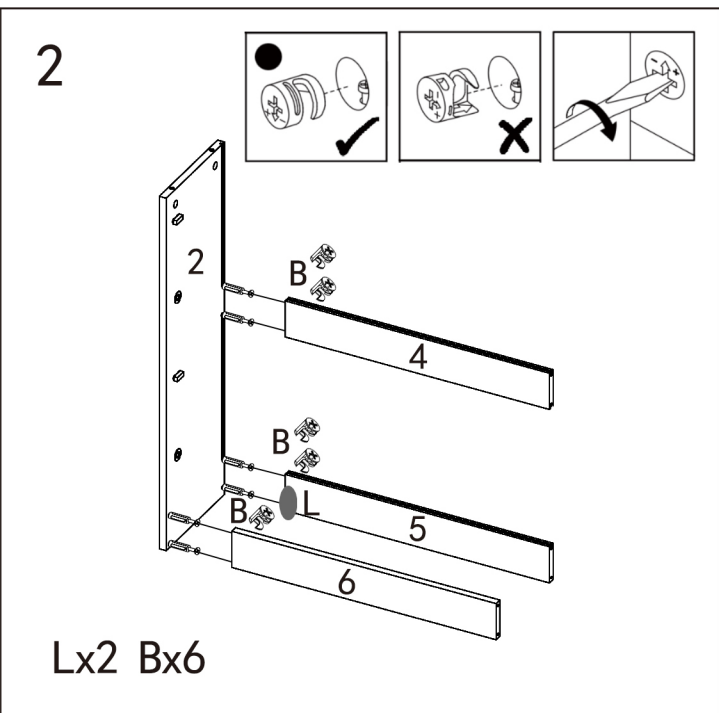
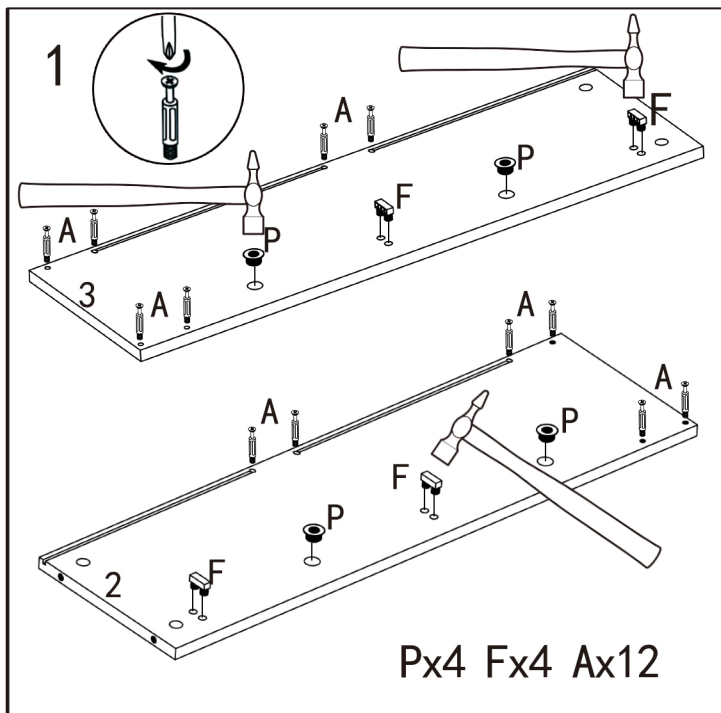


### Accessories list

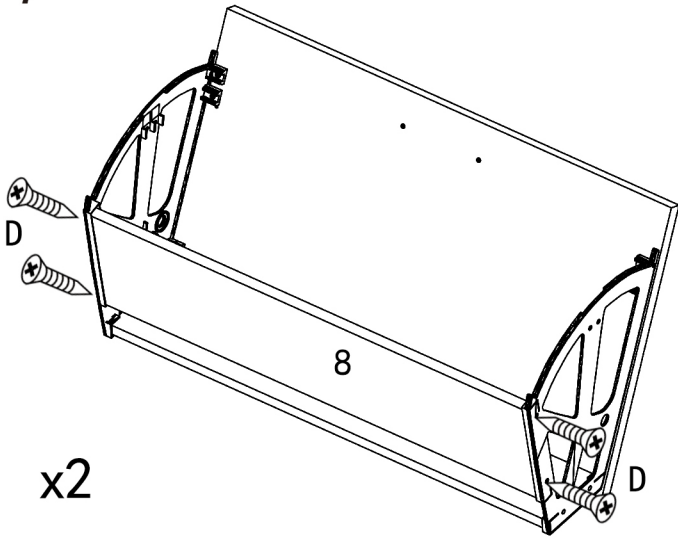
	Parts	Specification	Carton	Pcs		Parts	Specification	Carton	Pcs
<b>A</b>		6×40mm	1/1	X 16	<b>B</b>		15×11	1/1	X 16
<b>C</b>		Parts	1/1	X 4	<b>D</b>		3.5×14mm	1/1	X 32
<b>E</b>		Tipping frame	1/1	X 2	<b>F</b>		Parts	1/1	X 4
<b>G</b>		4×18mm	1/1	X 4	<b>H</b>		96Hole spacing	1/1	X 2
<b>J</b>		3×14mm	1/1	X 8	<b>K</b>		8x40/5×50	1/1	X 2/2
<b>L</b>		21mm	1/1	X 8	<b>M</b>		5×Φ12	1/1	X 4
<b>N</b>		Backplane	1/1	X 8	<b>O</b>		4×10mm	1/1	X 4
<b>P</b>		Parts	1/1	X 4					

Company: (mm)

<b>1</b>	 X1	600x235	1/1	<b>2</b>	 X1	780x235	1/1
<b>3</b>	 X1	780x235	1/1	<b>4</b>	 X1	568x80	1/1
<b>5</b>	 X1	568x80	1/1	<b>6</b>	 X1	568x80	1/1
<b>7</b>	 X2	564x338.5	1/1	<b>8</b>	 X4	557x140	1/1
<b>9</b>	 X2	557x90	1/1	<b>10</b>	 X2	577x313	1/1



7



x2

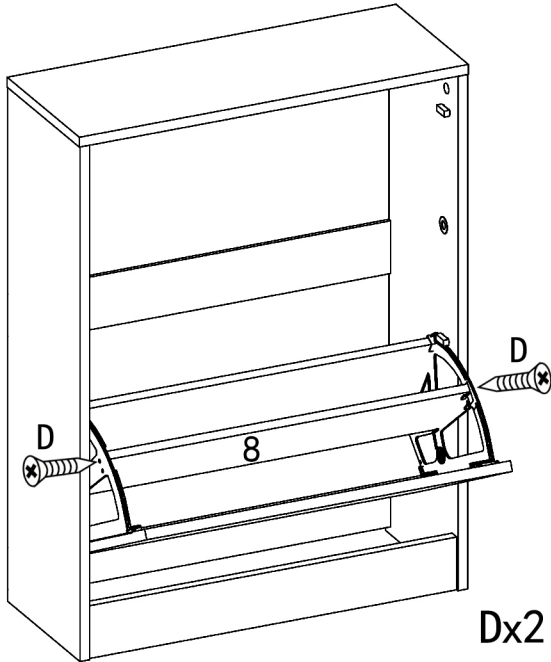
Dx8

8



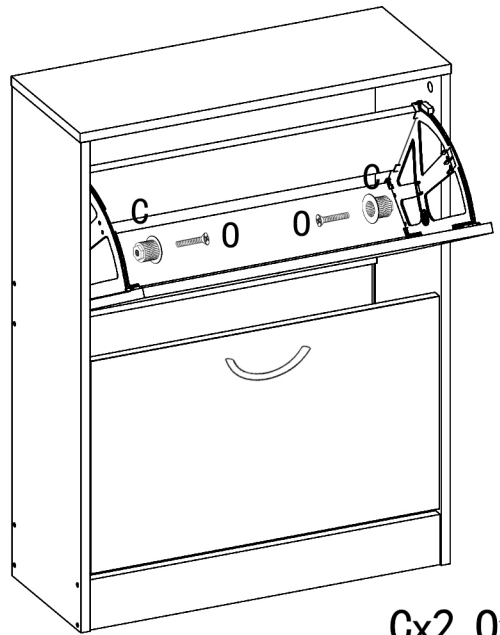
Cx2 Kx2 Ox2

9



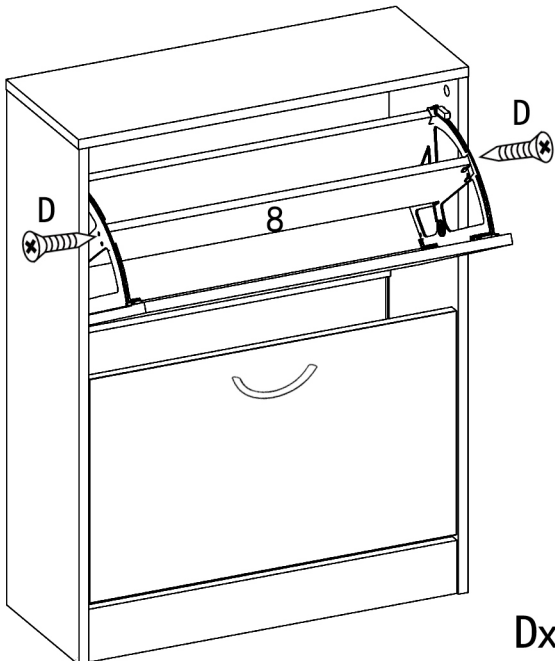
Dx2

10



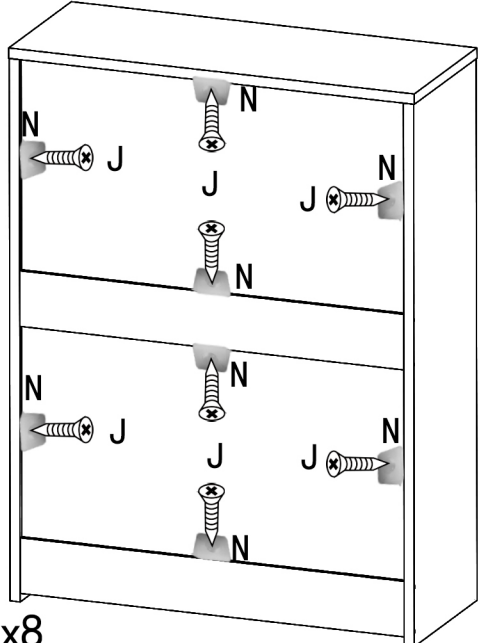
Cx2 Ox2

11



Dx2

12



Jx8 Nx8