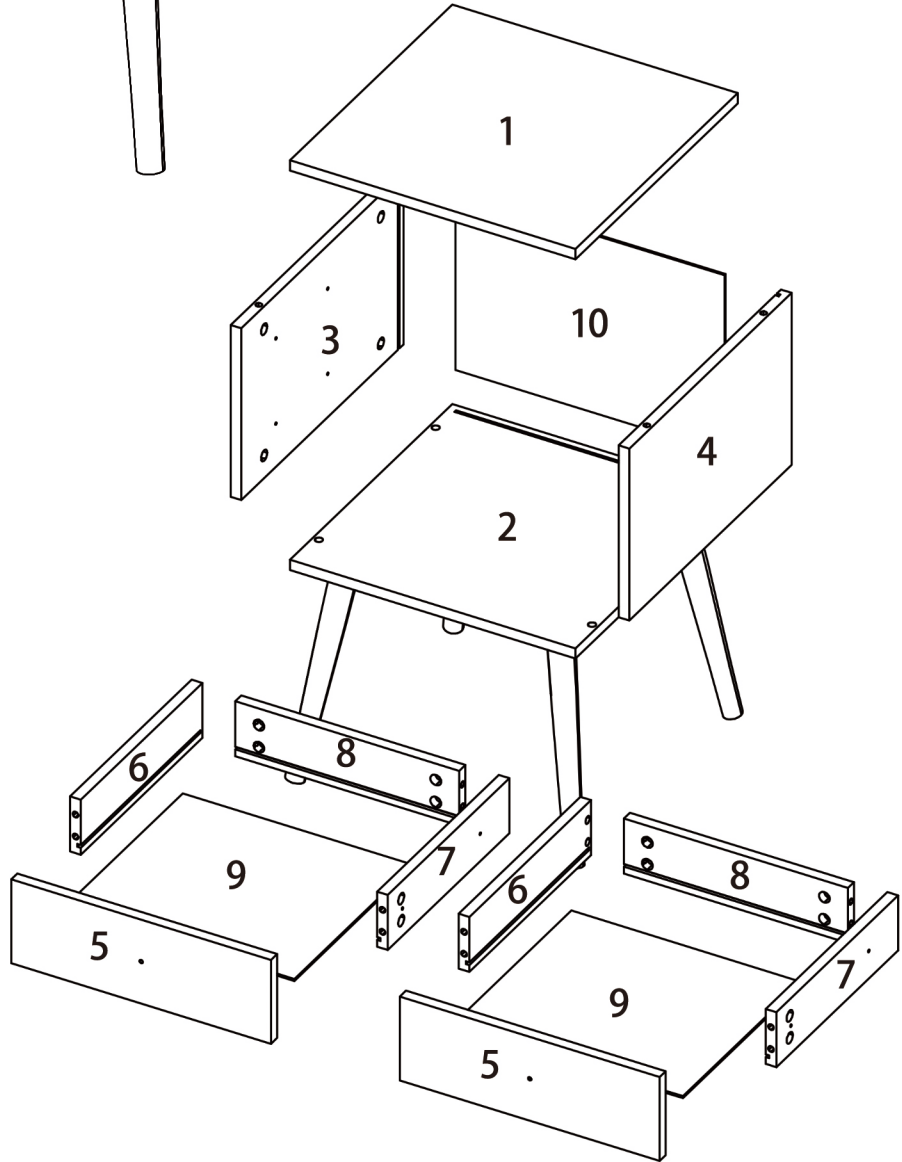
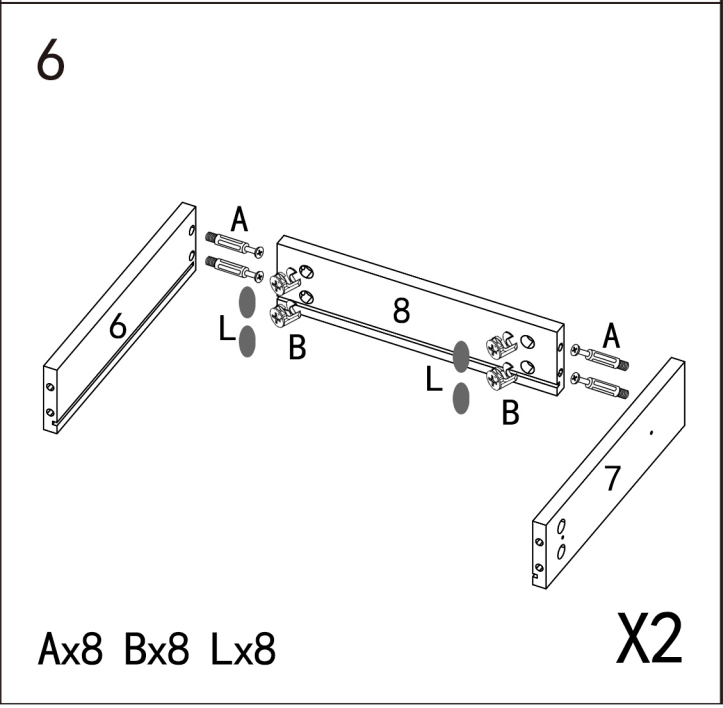
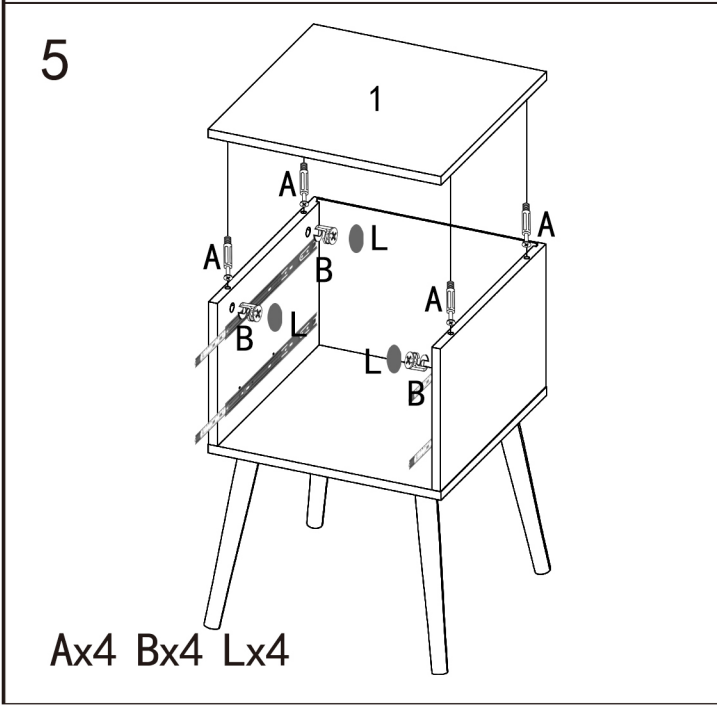
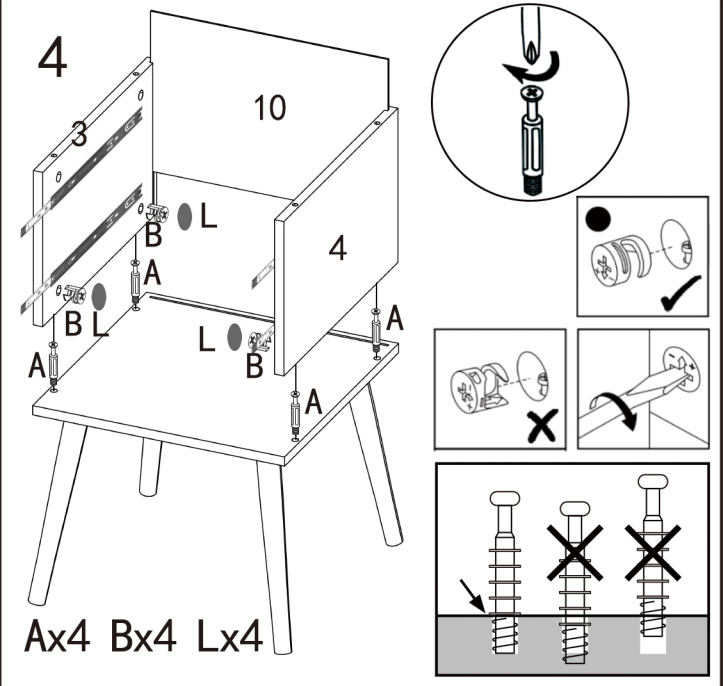
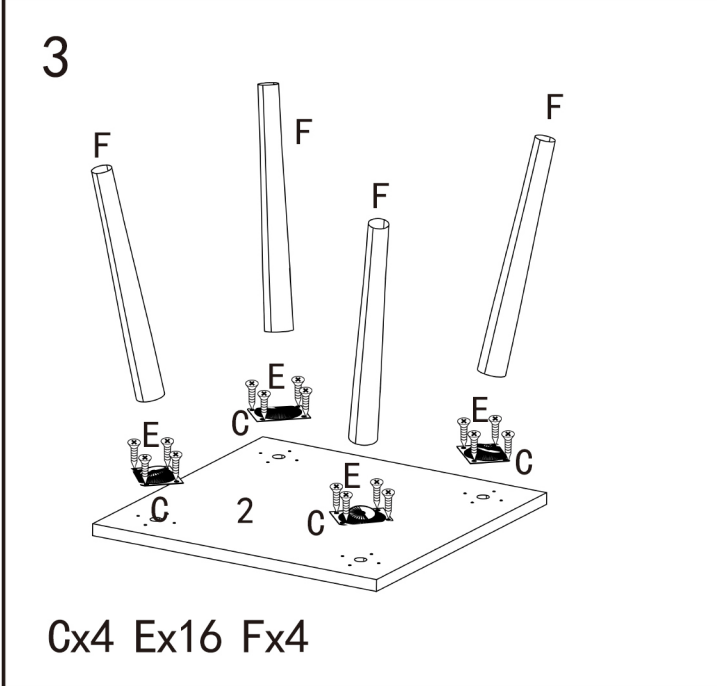
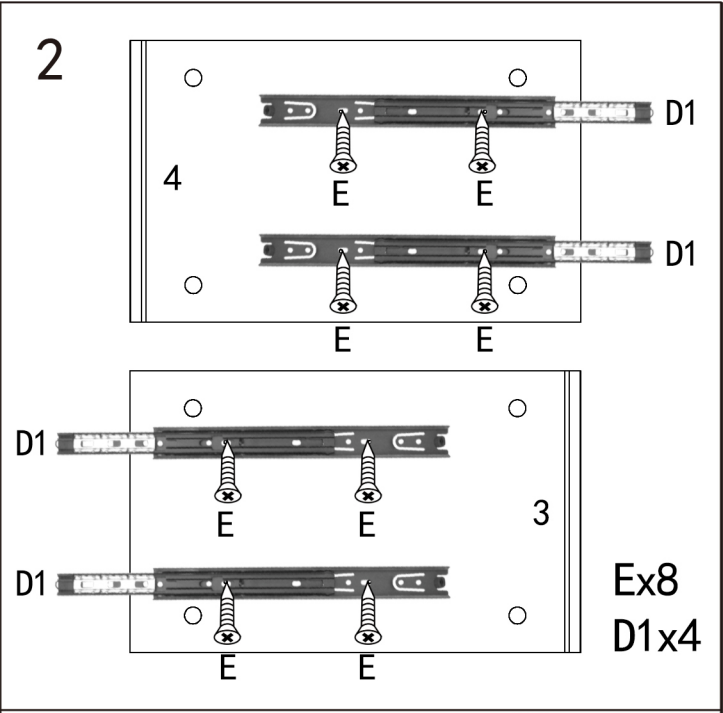
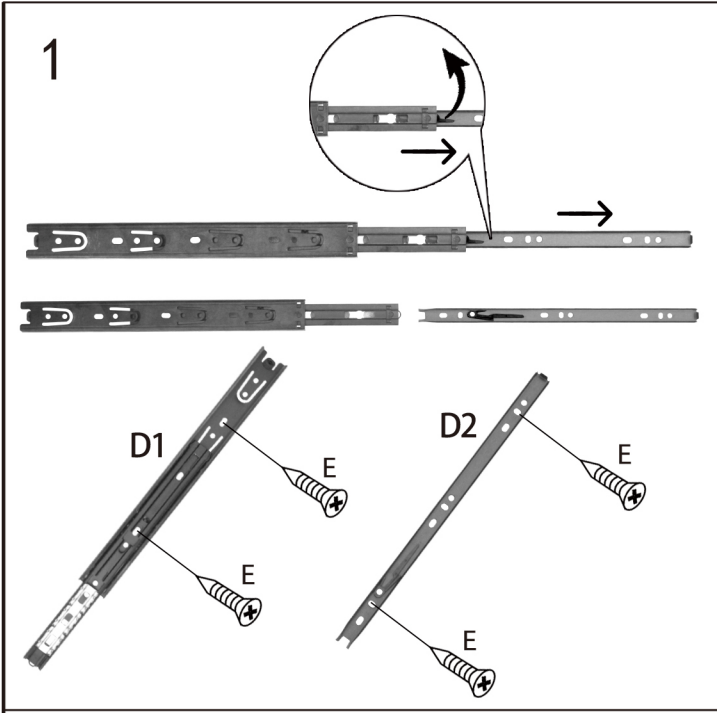


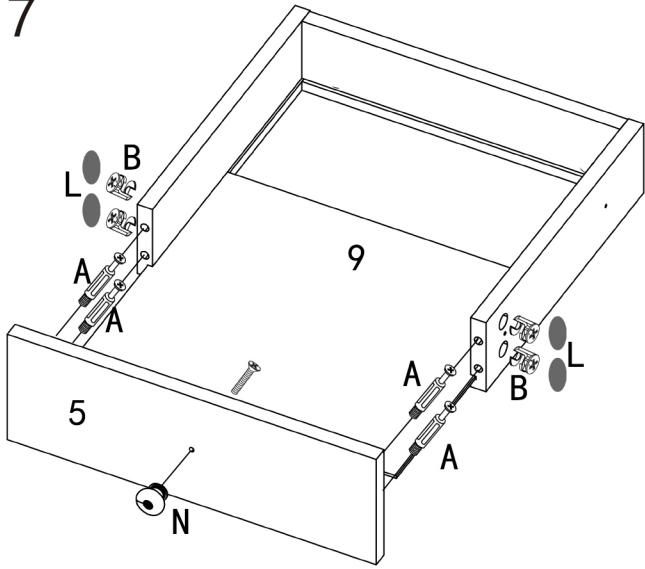
# Assembly Instruction







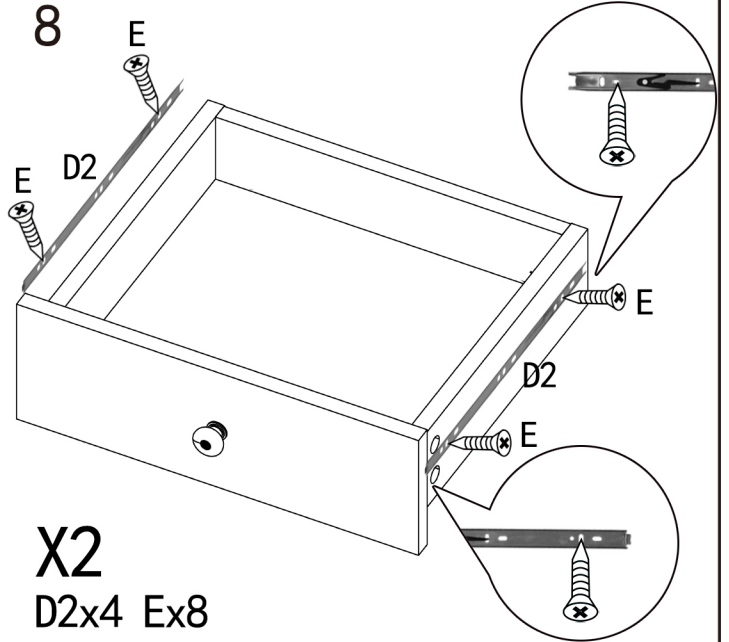
7



Ax8 Bx8 Lx8 Nx2

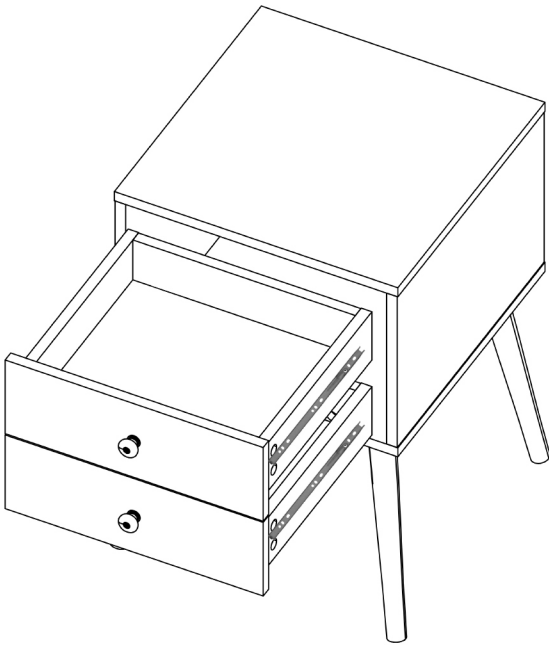
X2

8

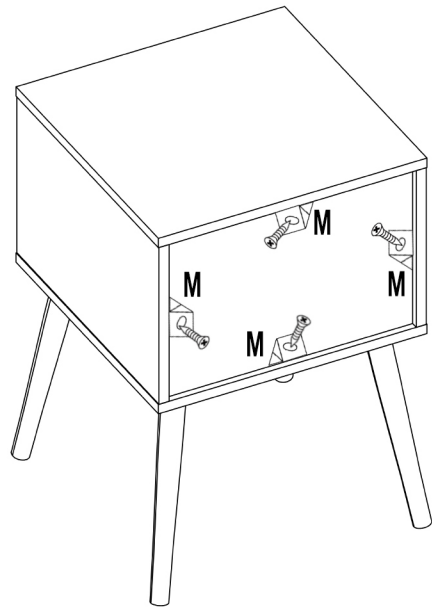


X2  
D2x4 Ex8

9



10



Mx4

11



12