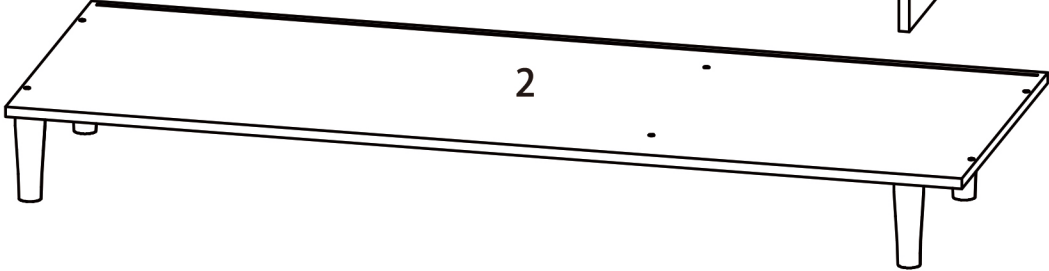
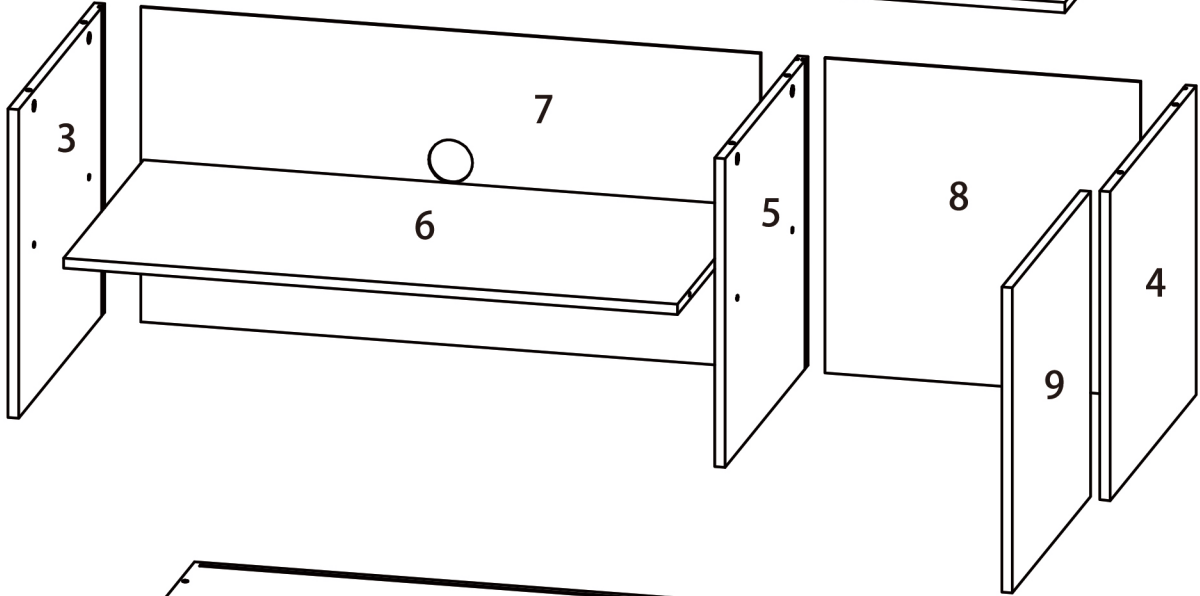
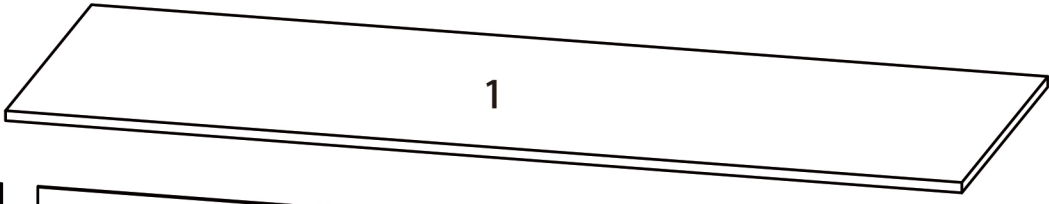
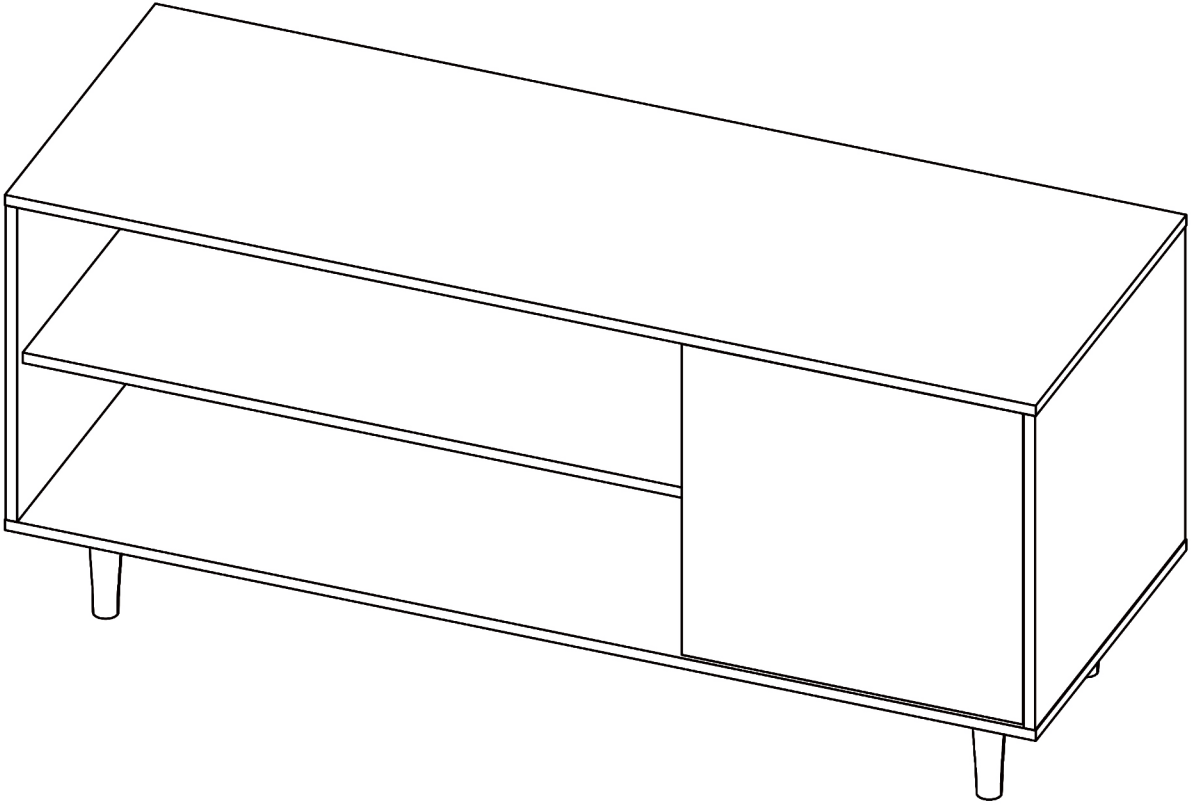
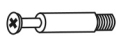







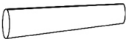




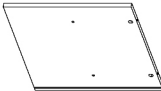

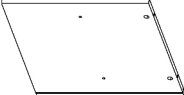
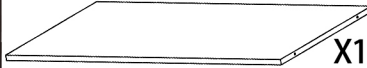
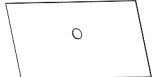

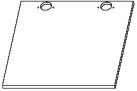
Assembly Instruction



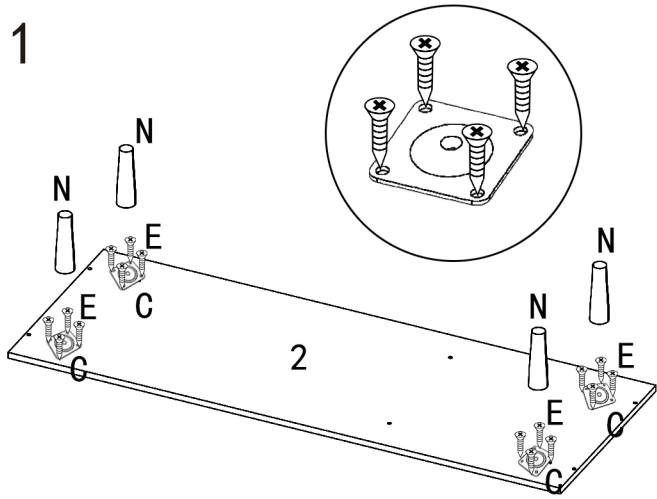
Accessories list

	Parts	Specification	Carton	Pcs		Parts	Specification	Carton	Pcs
A		6×25mm	1/1	X 6	B		12×10	1/1	X 6
C		50×50	1/1	X 4	D		Hinge	1/1	X 2
E		3.5×12	1/1	X 28	F		5×40/#3mm	1/1	X 10/1
L		21mm	1/1	X 10	M		3×14	1/1	X 8
N		115×Φ35	1/1	X 4					

Company: (mm)

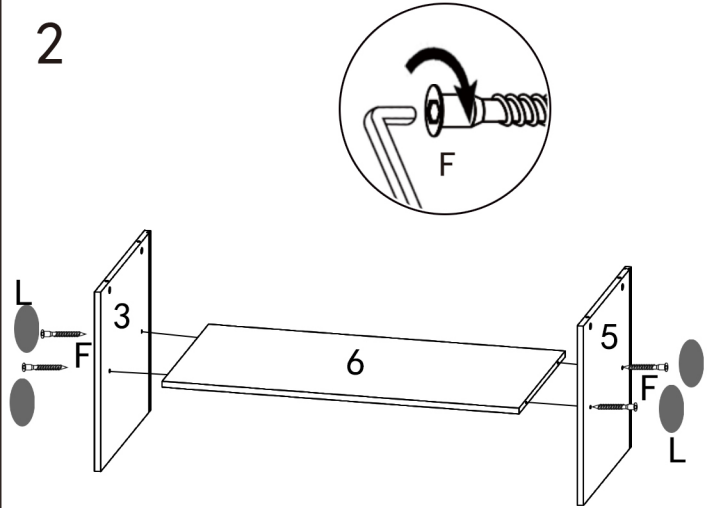
1		X1	1100x400	1/1	2		X1	1100x400	1/1
3		X1	400x265	1/1	4		X1	400x265	1/1
5		X1	385x265	1/1	6		X1	672x386	1/1
7		X1	679x272	1/1	8		X1	397x272	1/1
9		X1	400x261	1/1					

1



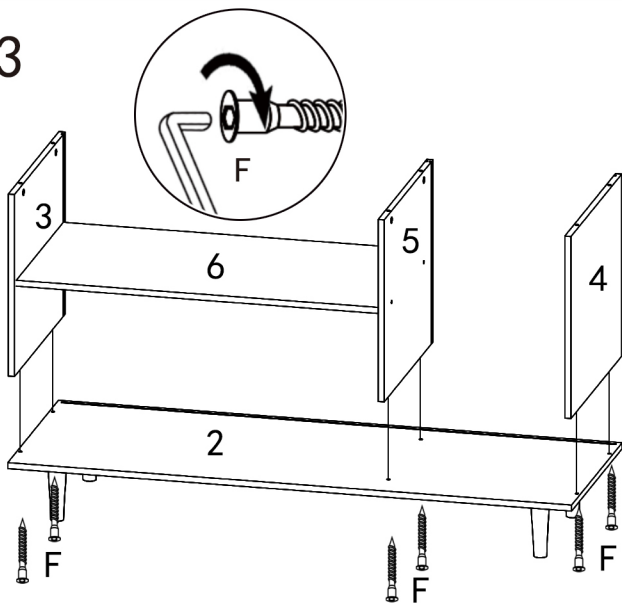
Cx4 Ex16 Nx4

2



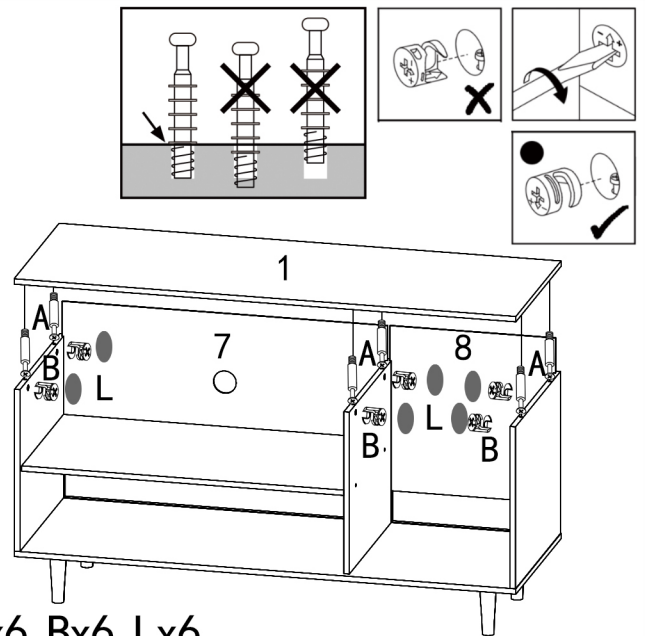
Fx4 Lx4

3



Fx6

4

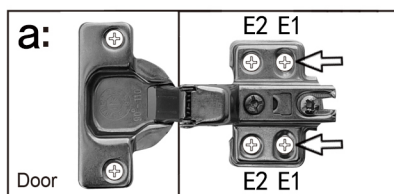


Ax6 Bx6 Lx6

5

Hinge adjustment

To facilitate the adjustment, install the E1 screw first, and then install the E2 screw.

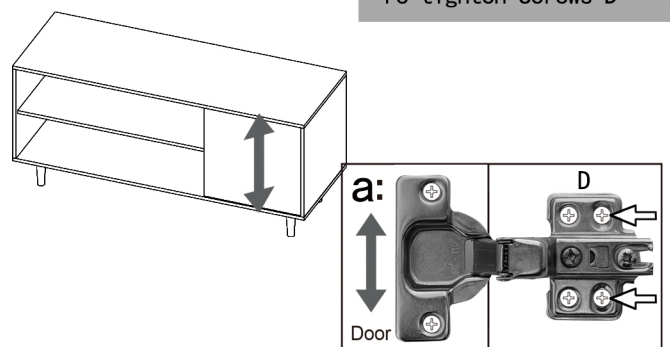


6

Hinge adjustment

a: To move doors up or down: loosen screws shown and move doors to suit.

Once doors are aligned, re-tighten Screws D

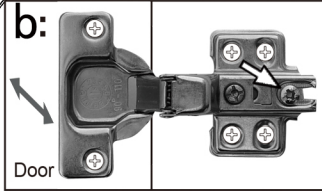
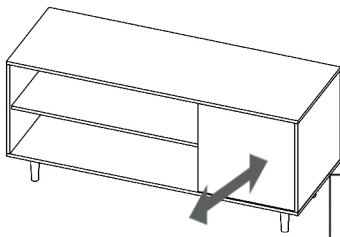


7

Hinge adjustment

b: To move doors in or out: loosen screw shown and move doors to suit.

Re-tighten screws

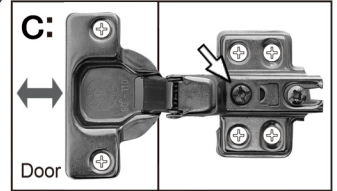
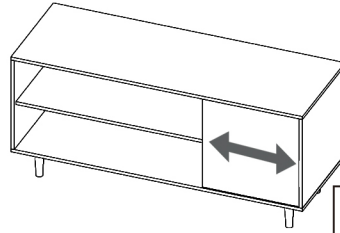


8

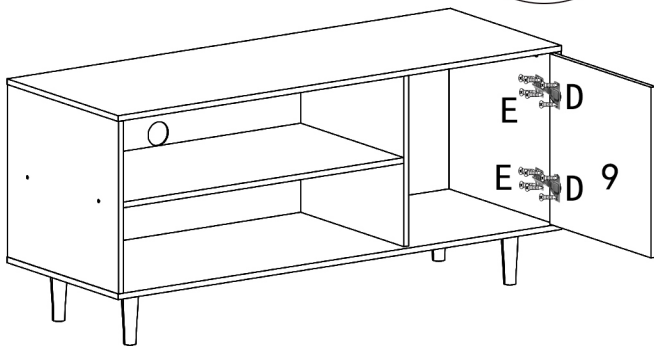
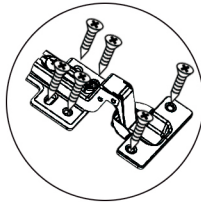
Hinge adjustment

c: To move doors left or right: loosen screw shown and move doors to suit.

Re-tighten screws

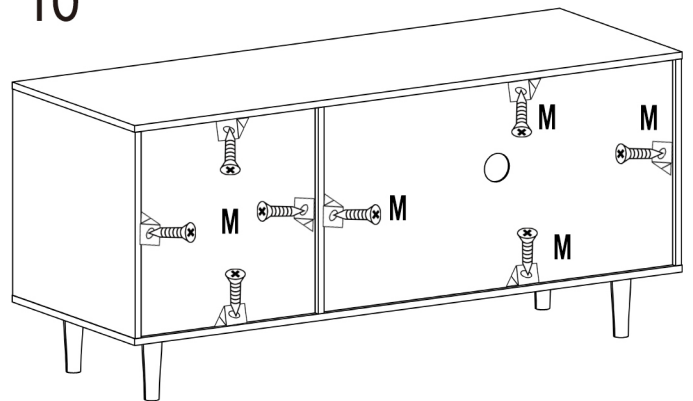


9

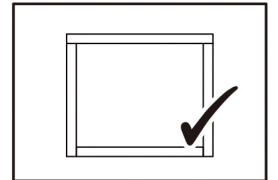
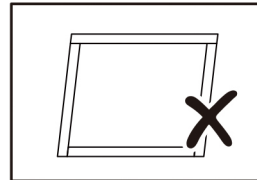


Dx2 Ex12

10



Mx8



11

