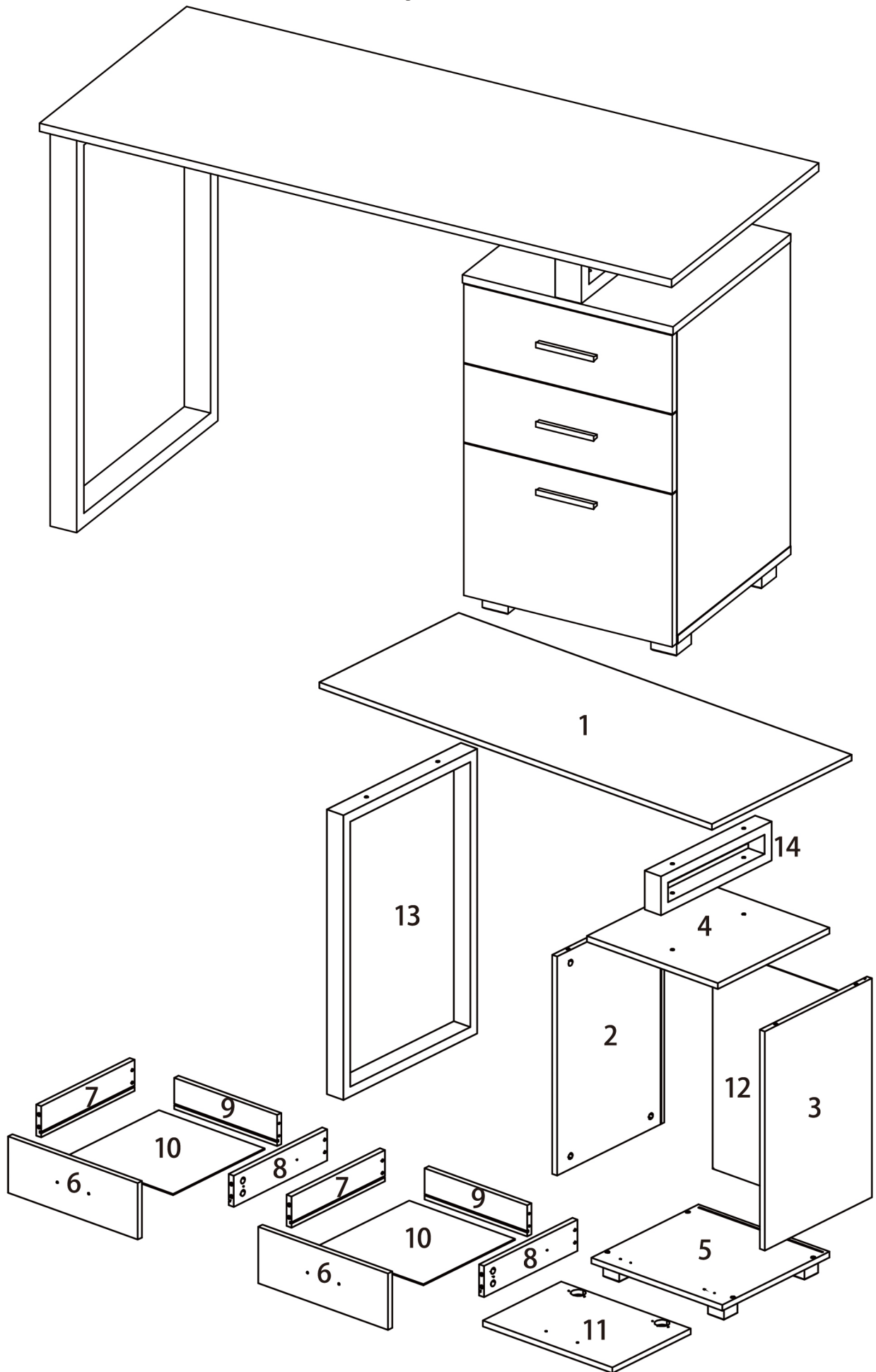
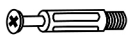


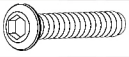
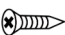
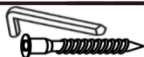










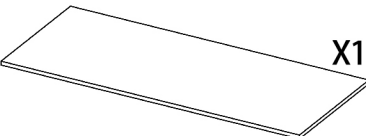


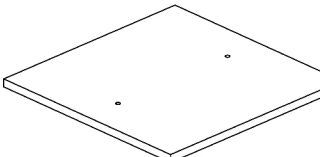
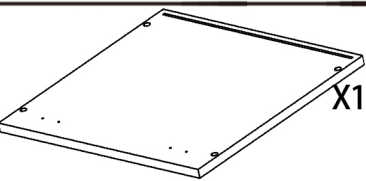
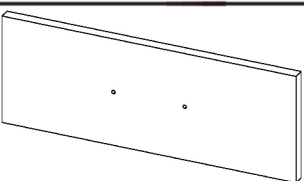
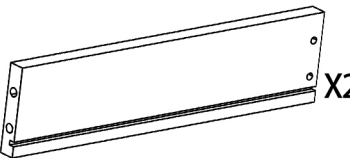
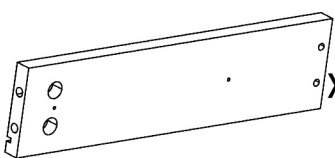
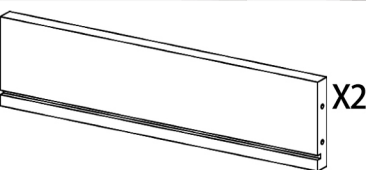
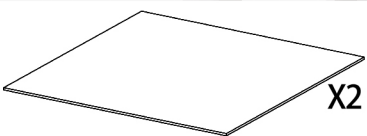
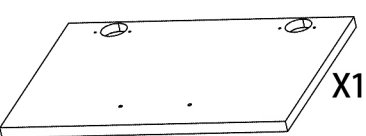

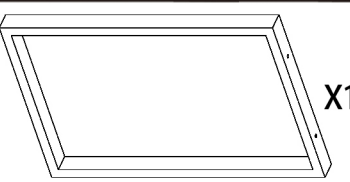
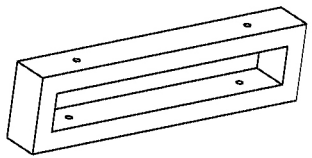
Assembly Instruction



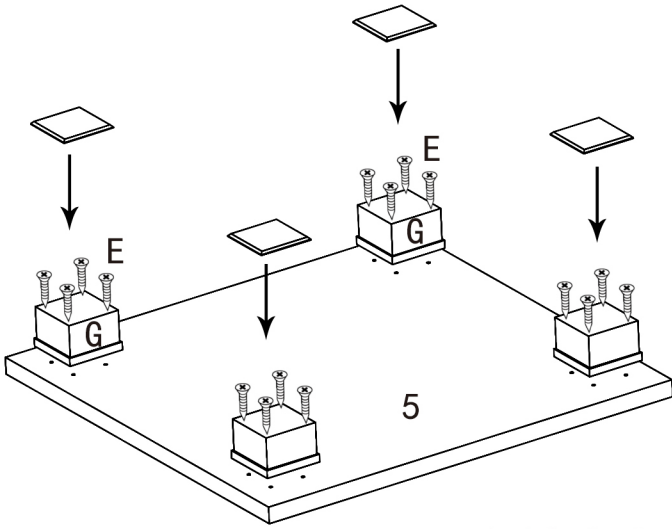
Company: (mm)

Accessories list

	Parts	Specification	Carton	Pcs		Parts	Specification	Carton	Pcs
A		6×40	1/1	X 16	B		15×11	1/1	X 16
C		12 inches	1/1	X 4	D		6×30	1/1	X 6
E		3.5×14	1/1	X 49	F		5×40/#3	1/1	X 8/1
G		50×50	1/1	X 4	H		Hinge	1/1	X 2
J		96	1/1	X 3	K		4×18	1/1	X 6
L		21mm	1/1	X 12	M		Backplane	1/1	X 4
N		3×14	1/1	X 4	P		Pull rod	1/1	X 1

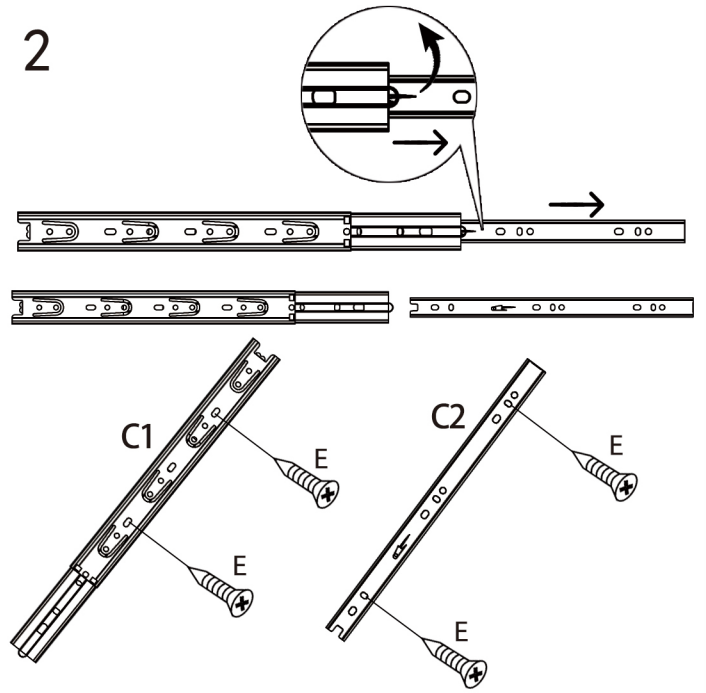
1		X1	1200x500	1/1	2		X1	562x384	1/1
3		X1	562x384	1/1	4		X1	400x400	1/1
5		X1	400x384	1/1	6		X2	396x145	1/1
7		X2	335x80	1/1	8		X2	335x80	1/1
9		X2	314x80	1/1	10		X2	328x323	1/1
11		X1	396x281	1/1	12		X1	571x376	1/1
13		X1	730x480		14		X1	396x100	1/1

1

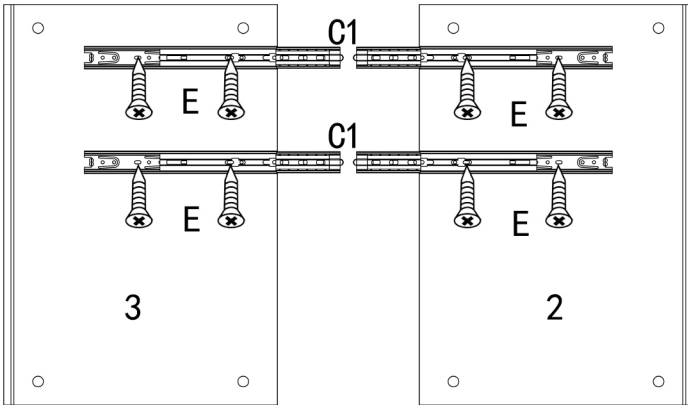


Ex16 Gx4

2



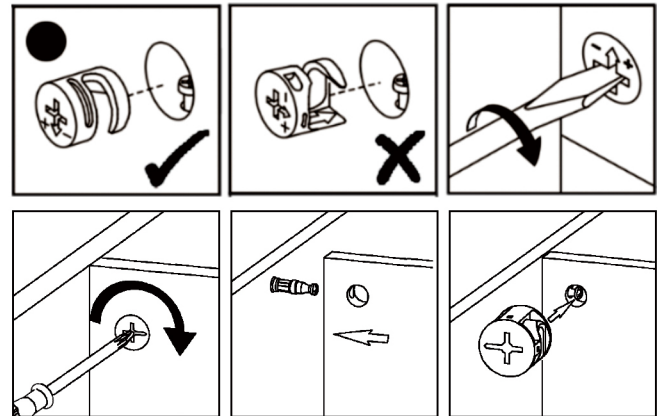
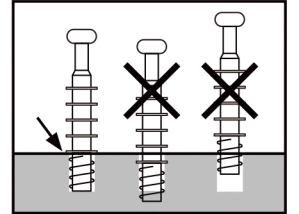
3



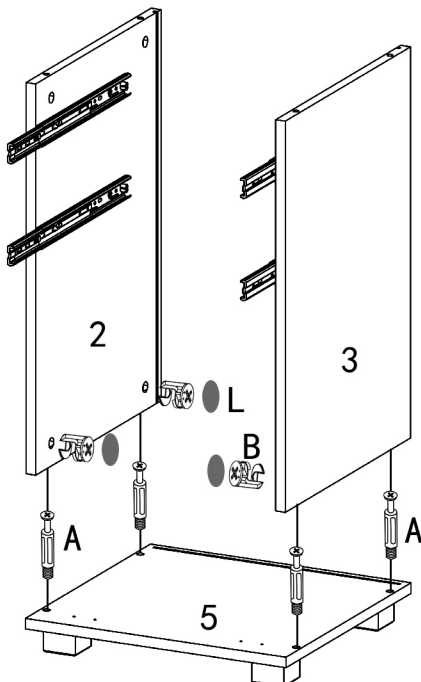
C1x4 Ex8

4

Installation method of three in one rod and buckle

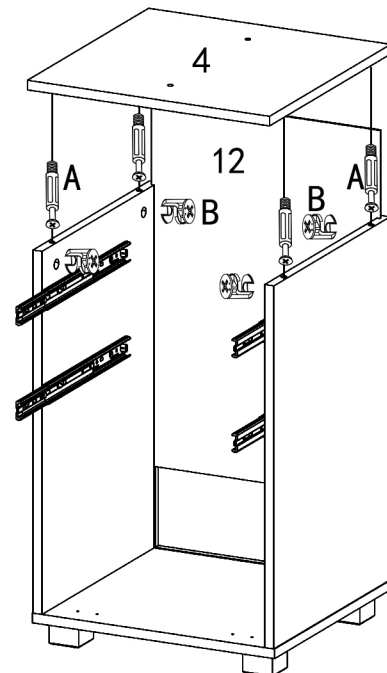


5



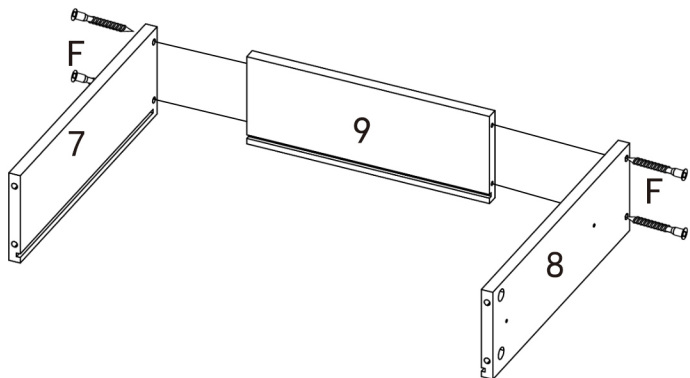
Ax4
Bx4
Lx4

6



Ax4
Bx4

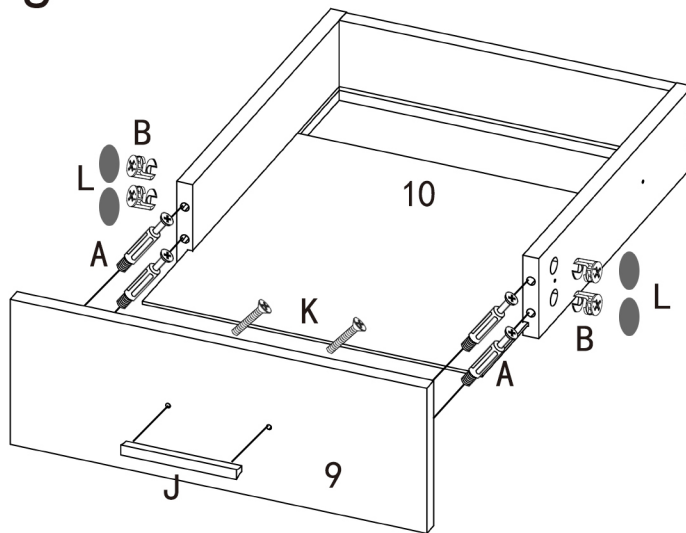
7



Fx8

X2

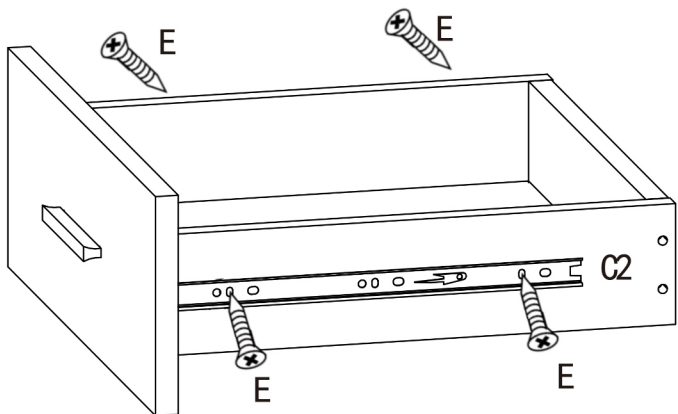
8



Ax8 Ax8 Lx8 Jx2 Kx4

X2

9



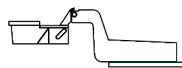
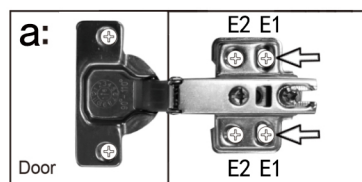
C2x4 Ex8

X2

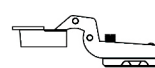
10

Hinge adjustment

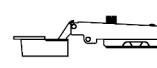
To facilitate the adjustment, install the E1 screw first, and then install the E2 screw.



Great bend



Middle curve



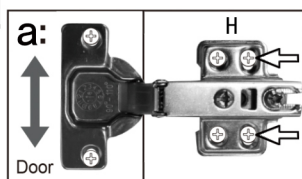
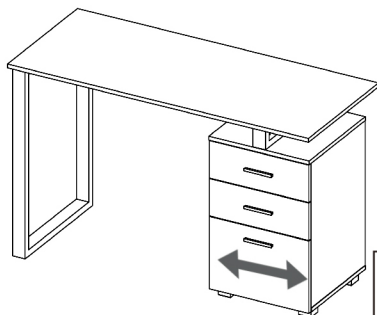
Straight arm

11

Hinge adjustment

a: To move doors up or down: loosen screws shown and move doors to suit.

Once doors are aligned, re-tighten Screws H

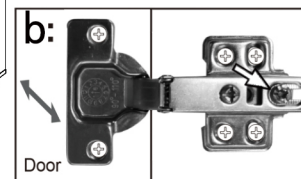
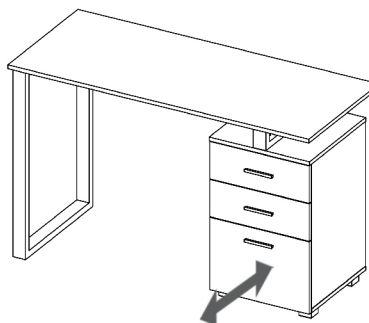


12

Hinge adjustment

b: To move doors in or out: loosen screw shown and move doors to suit.

Re-tighten screws

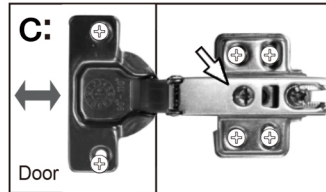
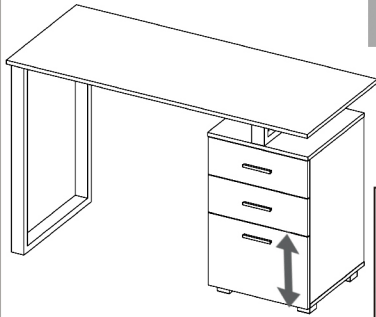


13

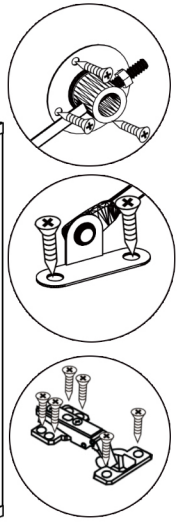
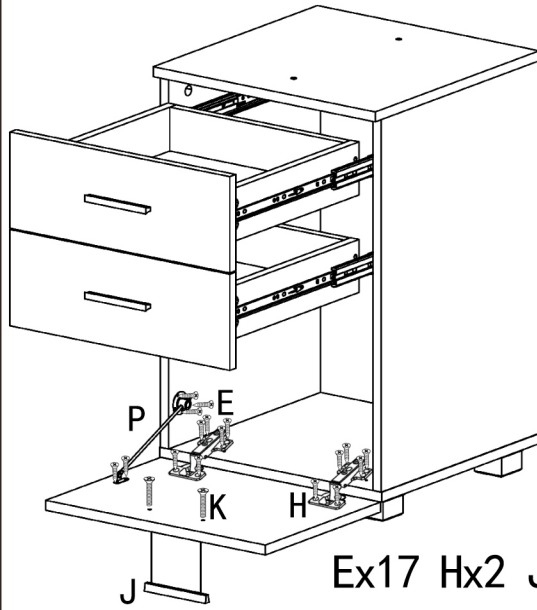
Hinge adjustment

c: To move doors left or right: loosen screw shown and move doors to suit.

Re-tighten screws

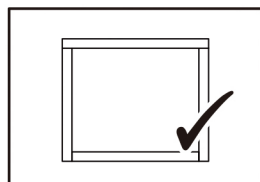
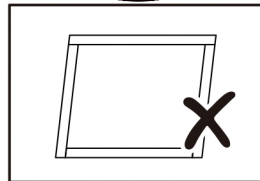
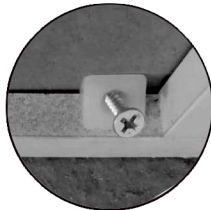
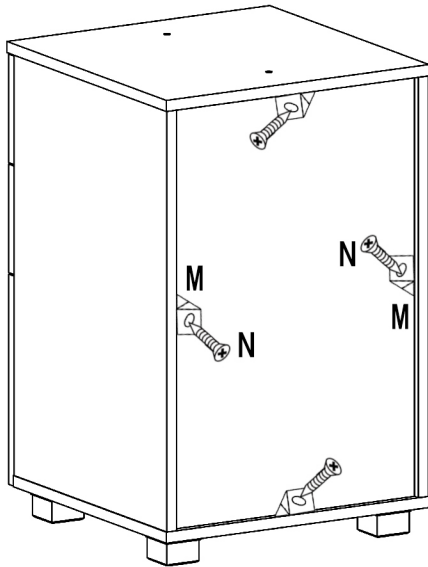


14



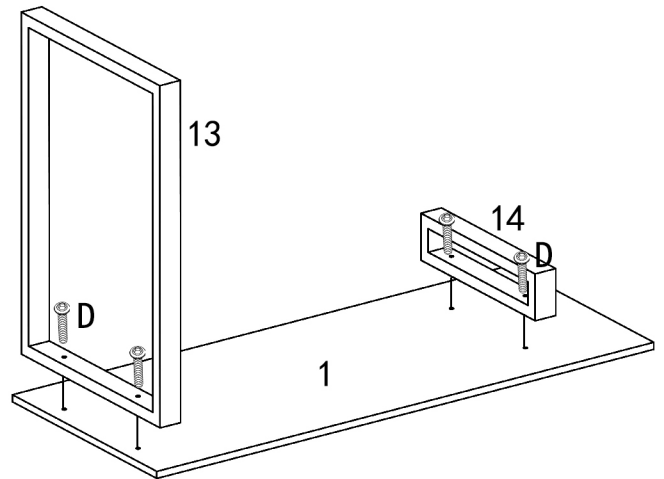
Ex17 Hx2 Jx1 Kx2

15



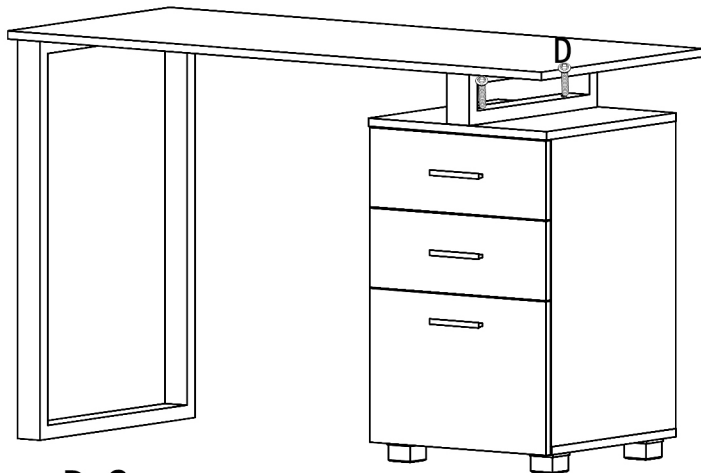
Mx4 Nx4

16



Dx4

17



Dx2

18

